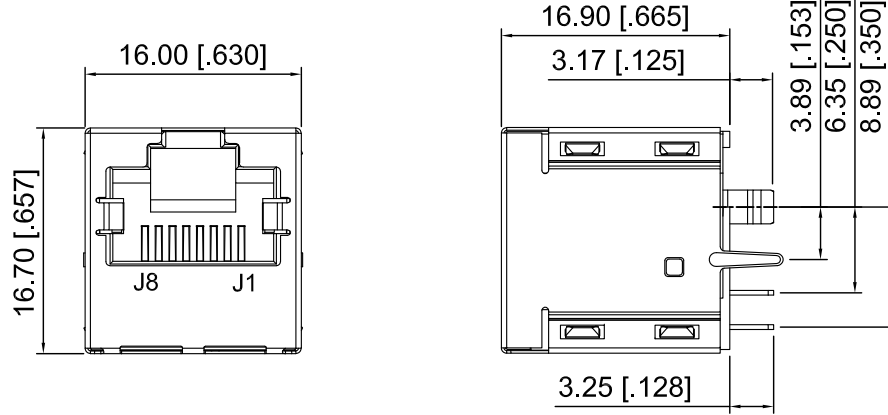
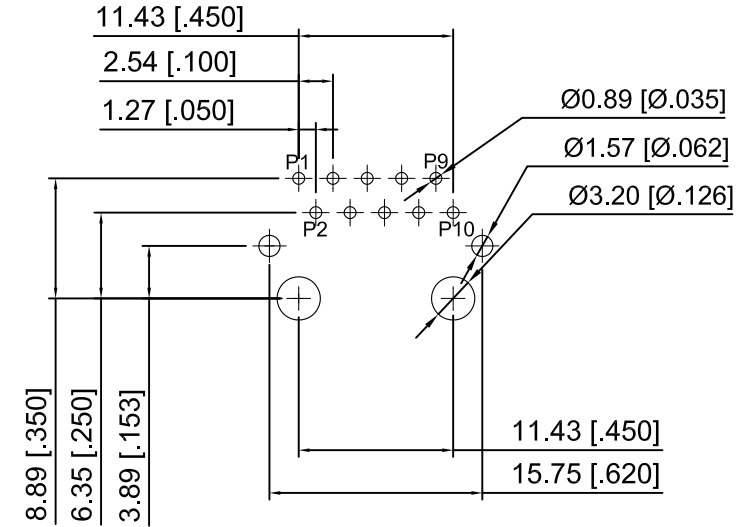


Mechanical

NO.	ECN NO.	DESCRIPTION	REV.	DRAW	DATE
1					
2					
3					



GoldPlating	Option
1.8μ"	<input type="checkbox"/>
3μ"	<input type="checkbox"/>
6μ"	<input checked="" type="checkbox"/>
15μ"	<input type="checkbox"/>
30μ"	<input type="checkbox"/>
50μ"	<input type="checkbox"/>

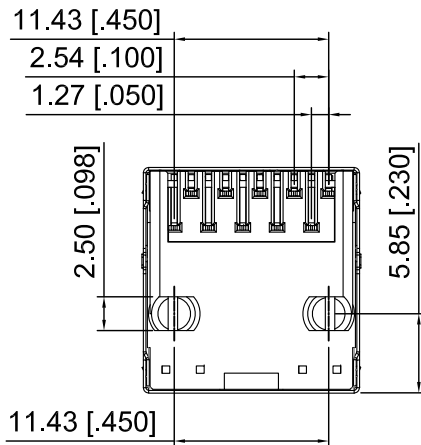


RECOMMENDED P.C.B LAYOUT
TOP VIEW (COMPONENT SIDE)

Dimension Tolerances:
PCB LAYOUT
Tolerances:±0.05[.002]

MATERIALS

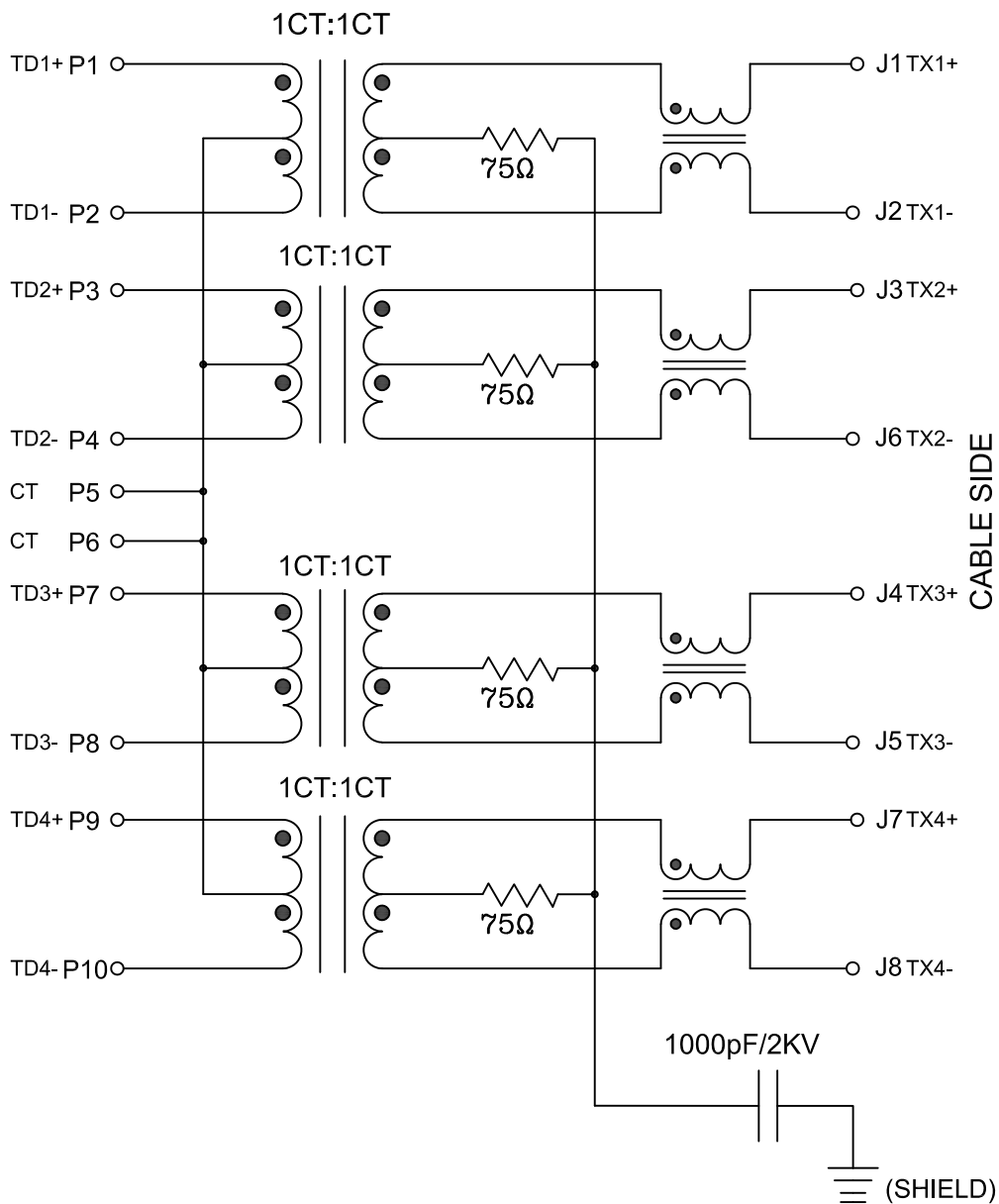
- HOUSING:GLASS FILLED PA46(BLACK) UL94V-0(ROHS)
- CONTACT: PHOSPHOR BRONZE,50-100 MICROINCHES MIN. OVERALL DUCTILE NICKEL UNDERPLATE WITH SELECTED 6 MICROINCHES GOLD AT MATING INTERFACE
- SHIELD:0.2mm THICKNESS WITH BRASS.
- JACK CAVITY CONFORMS TO FCC RULES AND REGULATIONS PART 68 SUBPART F
- THE PART IS RECOMMENDED FOR WAVE SOLDERING PROCESS PEAK SOLDERING TEMPERATURE IS 260°C MAX,10 SECS MAX.
- OPERATING TEMPERATURE:-40°C TO +85°C.
STORAGE TEMPERATURE:-40°C TO +85°C.



产品客户图 Customer Drw		未注公差 TOLERANCE UNLESS OTHERWISE SPECIFIED		比例 SCALE		张数 SHEET		单位 UNIT		Description		品名 TITLE	
0.XX	±0.10	1:1	角法 PROJ.	设计 DESIGN	WANGKG	2021.09.17	品名 TITLE	JHLA1S802W		Description		RJ45 1X1 Vertical/Through Hole 1000Base-T W/O LED	
X.XX	±0.25	1/2	大小 SIZE	校对 CHECKED	DANNY	2021.09.17	料号 ITEM NO.						
XX.XX	±0.25	mm	版本 REV.	核准 APPROVED	BYANG	2021.09.17	图号 DWG NO.						
X°	±2°												

GLGNET® 深圳市方向电子股份有限公司
SHEN ZHEN GLGNET ELECTRONICS CO., LTD.

Schematic



NO.	ECN NO.	DESCRIPTION	REV.	DRAW	DATE
1					
2					
3					

PARAMETER	SPECIFICATIONS
OPERATING TEMPERATURE	-40°C To +85°C
URNS RATIO	1:1±2%
INDUCTANCE(OCL)	350uH MIN@100KHz/100mV With 8mA DC Bias
INSERTION LOSS	-1.0dB MAX@0.3MHz-100MHz;
RETURN LOSS (Z out=100 OHM)	-18dB MIN@1MHz-30MHz; -16dB MIN@30MHz-60MHz; -12dB MIN@60MHz-80MHz;-10dB MIN@80MHz-100MHz;
CROSSTALK (ADJACENT CHANNELS)	-30dB MIN@1MHz-100MHz;
COMMON MODE REJECTION RATIO	-30dB MIN@1MHz-100MHz;
HI-POT	2250 VDC@60 SECONDS

产品客户图 Customer Drw		GLGNET® 深圳市方向电子股份有限公司 SHEN ZHEN GLGNET ELECTRONICS CO., LTD.	
未注公差 TOLERANCE UNLESS OTHERWISE SPECIFIED	0.XX ±0.10 X.XX ±0.25 XX.XX ±0.25 X° ±2°	Description	RJ45 1X1 Vertical/Through Hole 1000Base-T W/O LED
比例 SCALE	1:1	角法 PROJ.	设计 DESIGN
张数 SHEET	2/2	大小 SIZE	校对 CHECKED
单位 UNIT	mm	版本 REV.	核准 APPROVED
		品名 TITLE	JHLA1S802W
		料号 ITEM NO.	
		图号 DWG NO.	