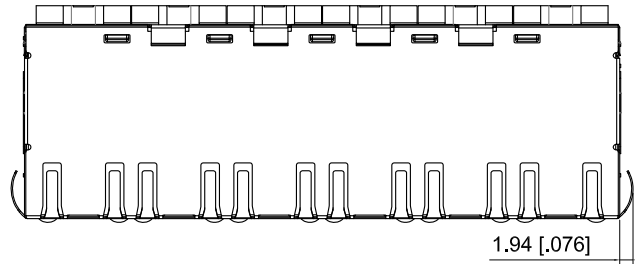


Mechanical

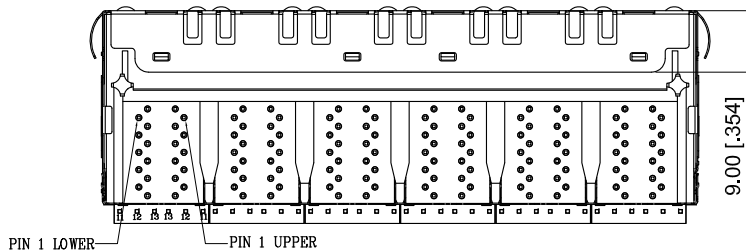
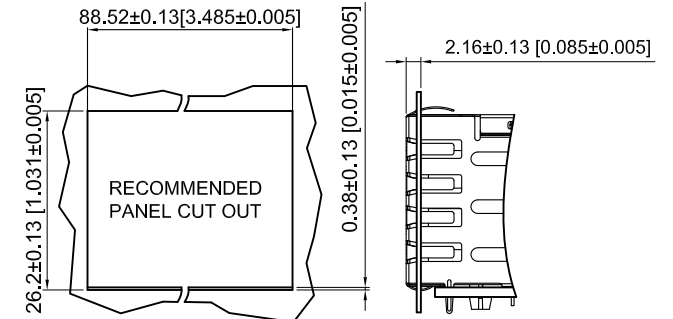
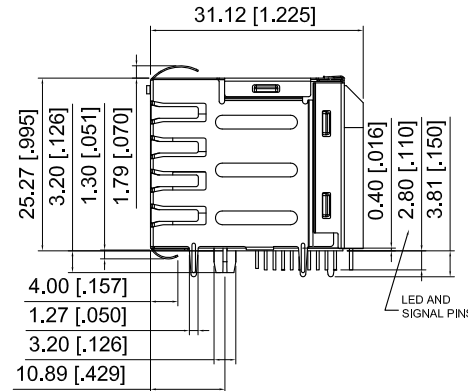
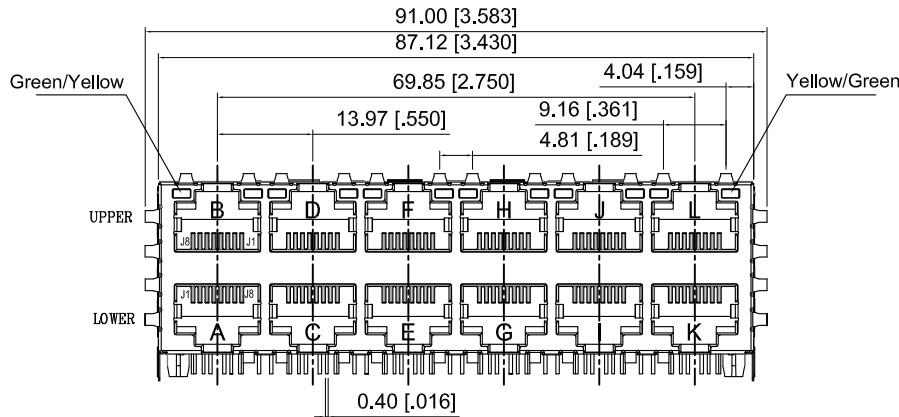
NO.	ECN NO.	DESCRIPTION	REV.	DRAW	DATE



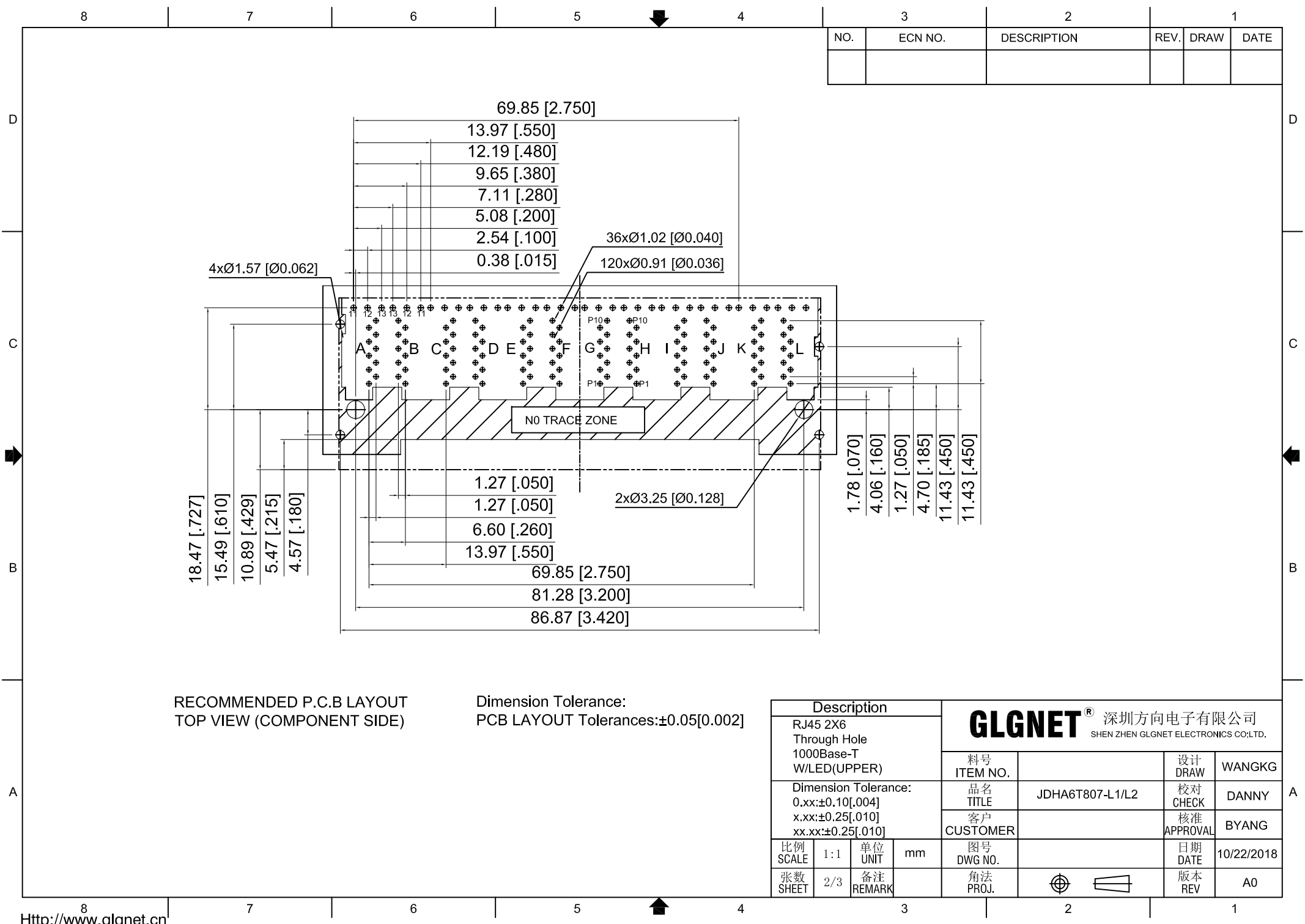
GoldPlating	Option
1.8μ"	<input type="checkbox"/>
3μ"	<input type="checkbox"/>
6μ"	<input checked="" type="checkbox"/>
15μ"	<input type="checkbox"/>
30μ"	<input type="checkbox"/>
50μ"	<input type="checkbox"/>

MATERIALS

- HOUSING: GLASS FILLED PA46(Black) UL94V-0(ROHS)
- CONTACT: PHOSPHOR BRONZE, 30-50 MICROINCHES MIN. OVERALL DUCTILE NICKEL UNDERPLATE WITH SELECTED 6 MICROINCHES GOLD AT MATING INTERFACE
- SHIELD: 0.2mm THICKNESS WITH COPPER ALLOY.
- JACK CAVITY CONFORMS TO FCC RULES AND REGULATIONS PART 68 SUBPART F
- THE PART IS RECOMMENDED FOR WAVE SOLDERING PROCESS PEAK SOLDERING TEMPERATURE IS 260°C MAX, 10 SECS MAX.
- OPERATING TEMPERATURE: 0°C TO +70°C.
STORAGE TEMPERATURE: -20°C TO +125°C.



Description				GLGNET® 深圳方向电子有限公司 SHEN ZHEN GLGNET ELECTRONICS CO.,LTD.			
RJ45 2X6 Through Hole 1000Base-T W/LED(UPPER)				料号 ITEM NO.		设计 DRAW	WANGKG
				品名 TITLE	JDHA6T807-L1/L2	校对 CHECK	DANNY
				客户 CUSTOMER		核准 APPROVAL	BYANG
Dimension Tolerance: 0.xx:±0.10[.004] x.xx:±0.25[.010] xx.xx:±0.25[.010]				比例 SCALE	1:1	单位 UNIT	mm
张数 SHEET	1/3	备注 REMARK		图号 DWG NO.		日期 DATE	10/22/2018
				角法 PROJ.		版本 REV	A0



3		2		1	
NO.	ECN NO.	DESCRIPTION	REV.	DRAW	DATE

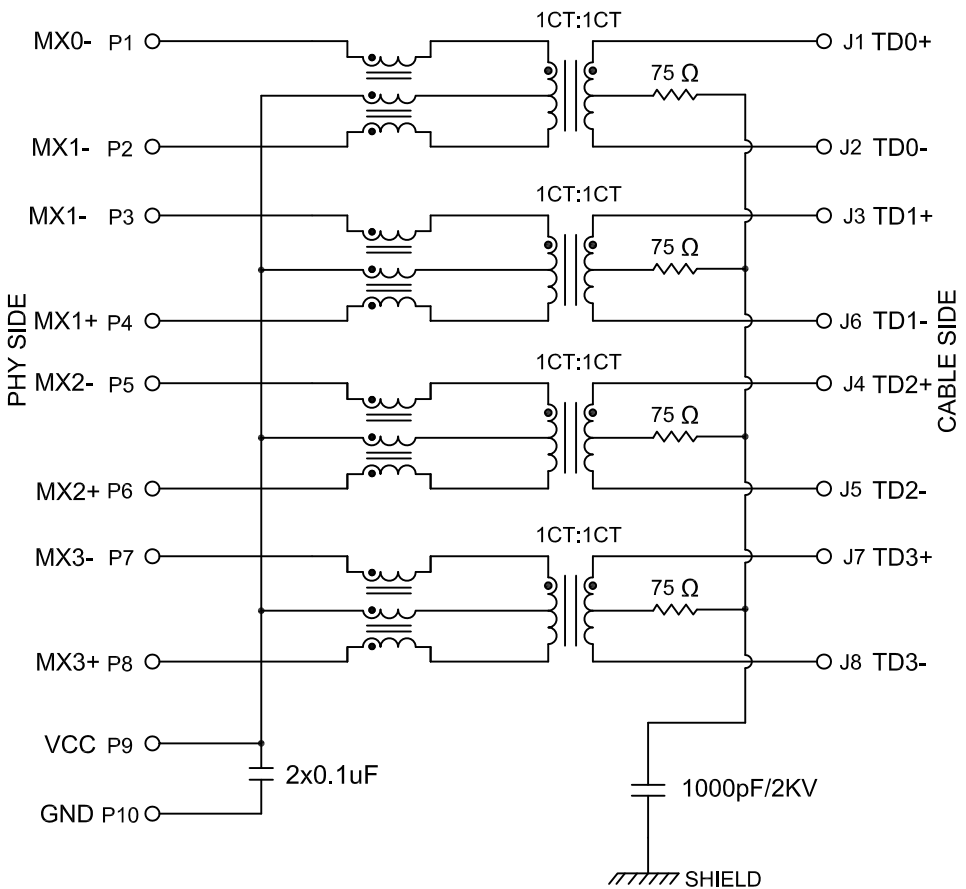
RECOMMENDED P.C.B LAYOUT
TOP VIEW (COMPONENT SIDE)

Dimension Tolerance:
PCB LAYOUT Tolerances:±0.05[0.002]

Description				GLGNET ® 深圳方向电子有限公司 <small>SHEN ZHEN GLGNET ELECTRONICS CO.,LTD.</small>			
RJ45 2X6 Through Hole 1000Base-T W/LED(UPPER)				料号 ITEM NO.		设计 DRAW	WANGKG
				品名 TITLE	JDHA6T807-L1/L2	校对 CHECK	DANNY
				客户 CUSTOMER		核准 APPROVAL	BYANG
比例 SCALE	1:1	单位 UNIT	mm	图号 DWG NO.		日期 DATE	10/22/2018
张数 SHEET	2/3	备注 REMARK		角法 PROJ.		版本 REV	A0

NO.	ECN NO.	DESCRIPTION	REV.	DRAW	DATE

Schematic



PARAMETER	SPECIFICATIONS
OPERATING TEMPERATURE	0°C To +70°C
TURNS RATIO	1:1±2%
INDUCTANCE(OCL)	350uH MIN@100KHz/100mV With 8mA DC Bias
INSERTION LOSS	-1.0dB MAX@0.3MHz-100MHz;
RETURN LOSS (Z out=100 OHM)	-18dB MIN@1MHz-30MHz; -13dB MIN@30MHz-60MHz; -10dB MIN@60MHz-100MHz;
CROSSTALK (ADJACENT CHANNELS)	-30dB MIN@1MHz-100MHz;
COMMON MODE REJECTION RATIO	-30dB MIN@1MHz-100MHz;
HI-POT	2250 VDC@60 SECONDS

LED SPECIFICATION			
STANDARD LED	WAVELENGTH	Forward V(max)	TYP
GREEN	565nm	2.4V	2.2V
ORANGE	600nm	2.5V	2.1V

*WITH A FORWARD CURRENT OF 20mA

Description				GLGNET® 深圳方向电子有限公司 SHEN ZHEN GLGNET ELECTRONICS CO.,LTD.			
RJ45 2X6 Through Hole 1000Base-T W/LED(UPPER)				料号 ITEM NO.		设计 DRAW	WANGKG
Dimension Tolerance: 0.xx:±0.10[.004] x.xx:±0.25[.010] xx.xx:±0.25[.010]				品名 TITLE	JDHA6T807-L1/L2	校对 CHECK	DANNY
				客户 CUSTOMER		核准 APPROVAL	BYANG
比例 SCALE	1:1	单位 UNIT	mm	图号 DWG NO.		日期 DATE	10/22/2018
张数 SHEET	3/3	备注 REMARK		角法 PROJ.		版本 REV	A0