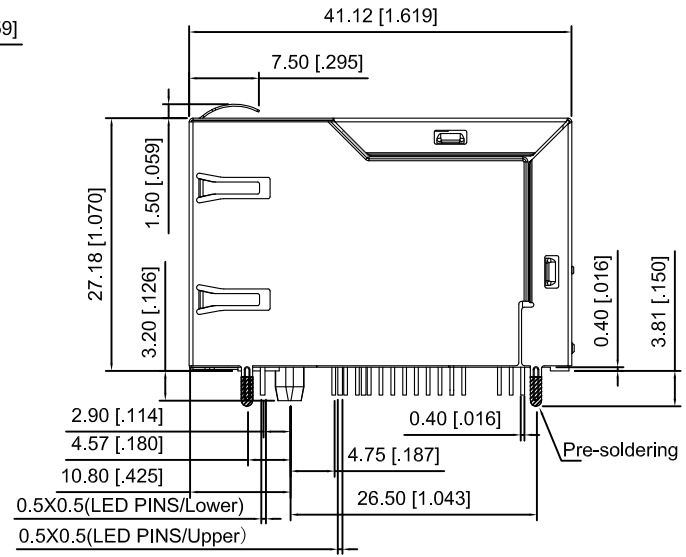


NO.	ECN NO.	DESCRIPTION	REV.	DRAW	DATE

MATERIALS

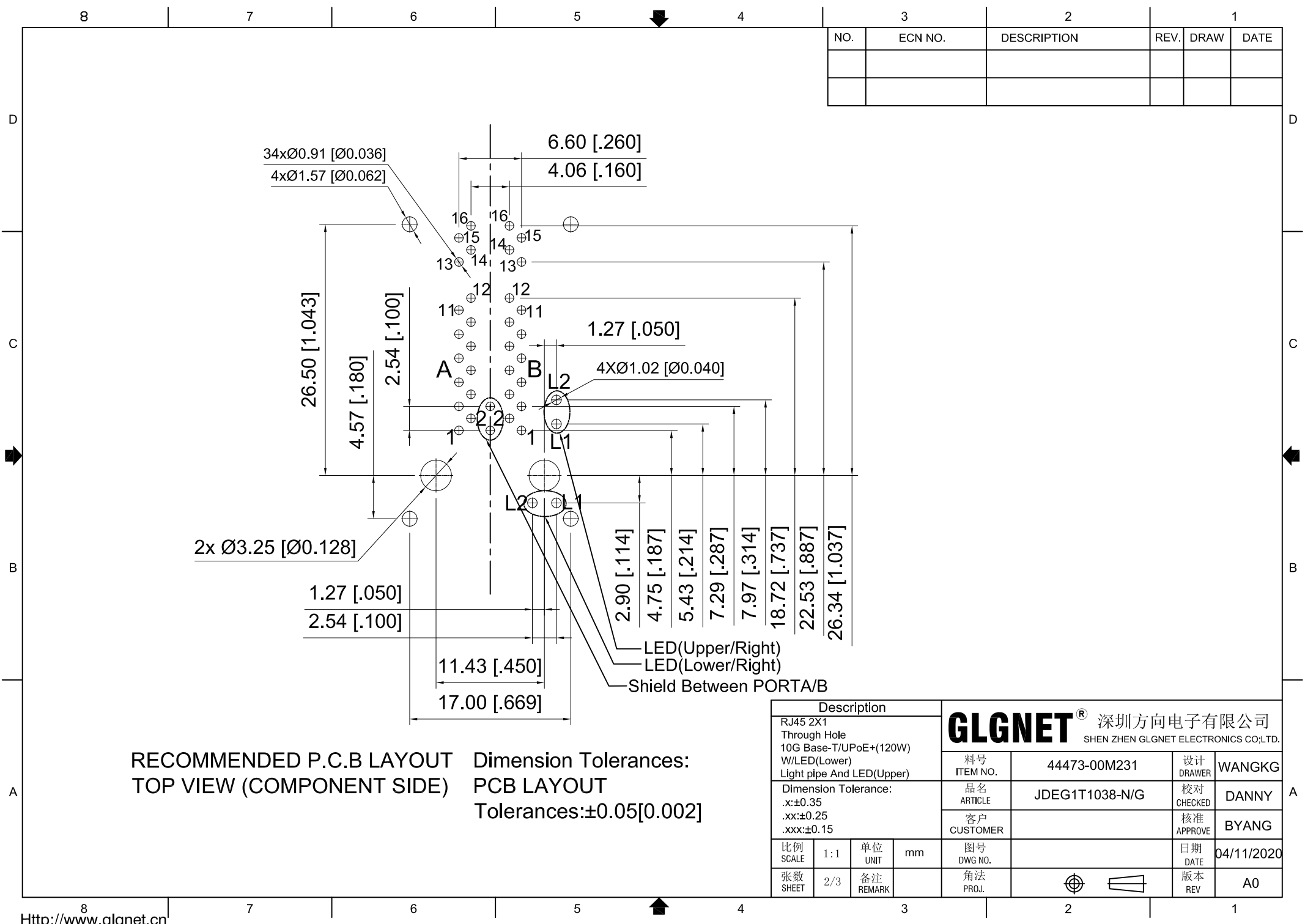
- HOUSING: GLASS FILLED PA6T (BLACK) UL94V-0 (ROHS)
- CONTACT: PHOSPHOR BRONZE, 50-100 MICRONS MIN. OVERALL DUCTILE NICKEL UNDERPLATE WITH SELECTED 30 MICRONS GOLD AT MATING INTERFACE
- SHIELD: 0.2mm THICKNESS WITH COPPER ALLOY.
- JACK CAVITY CONFORMS TO FCC RULES AND REGULATIONS PART 68 SUBPART F
- THE PART IS RECOMMENDED FOR WAVE SOLDERING PROCESS PEAK SOLDERING TEMPERATURE IS 260°C MAX, 10 SECS MAX.
- OPERATING TEMPERATURE: -40°C TO +85°C.
STORAGE TEMPERATURE: -40°C TO +85°C.



Mechanical

Gold Plating	Option
1.8 μm	<input type="checkbox"/>
3 μm	<input type="checkbox"/>
6 μm	<input type="checkbox"/>
15 μm	<input type="checkbox"/>
30 μm	<input checked="" type="checkbox"/>
50 μm	<input type="checkbox"/>

Description				GLGNET® 深圳方向电子有限公司 SHEN ZHEN GLGNET ELECTRONICS CO.,LTD.			
RJ45 2X1 Through Hole 10G Base-T/UPoE+(120W) W/LED(Lower) Light pipe And LED(Upper)				料号 ITEM NO.	44473-00M231	设计 DRAWER	WANGKG
Dimension Tolerance: .x: ±0.35 .xx: ±0.25 .xxx: ±0.15				品名 ARTICLE	JDEG1T1038-N/G	校对 CHECKED	DANNY
比例 SCALE				客户 CUSTOMER		核准 APPROVE	BYANG
1:1	单位 UNIT	mm	图号 DWG NO.	日期 DATE	04/11/2020		
张数 SHEET	1/3	备注 REMARK	角法 PROJ.	版本 REV	A0		



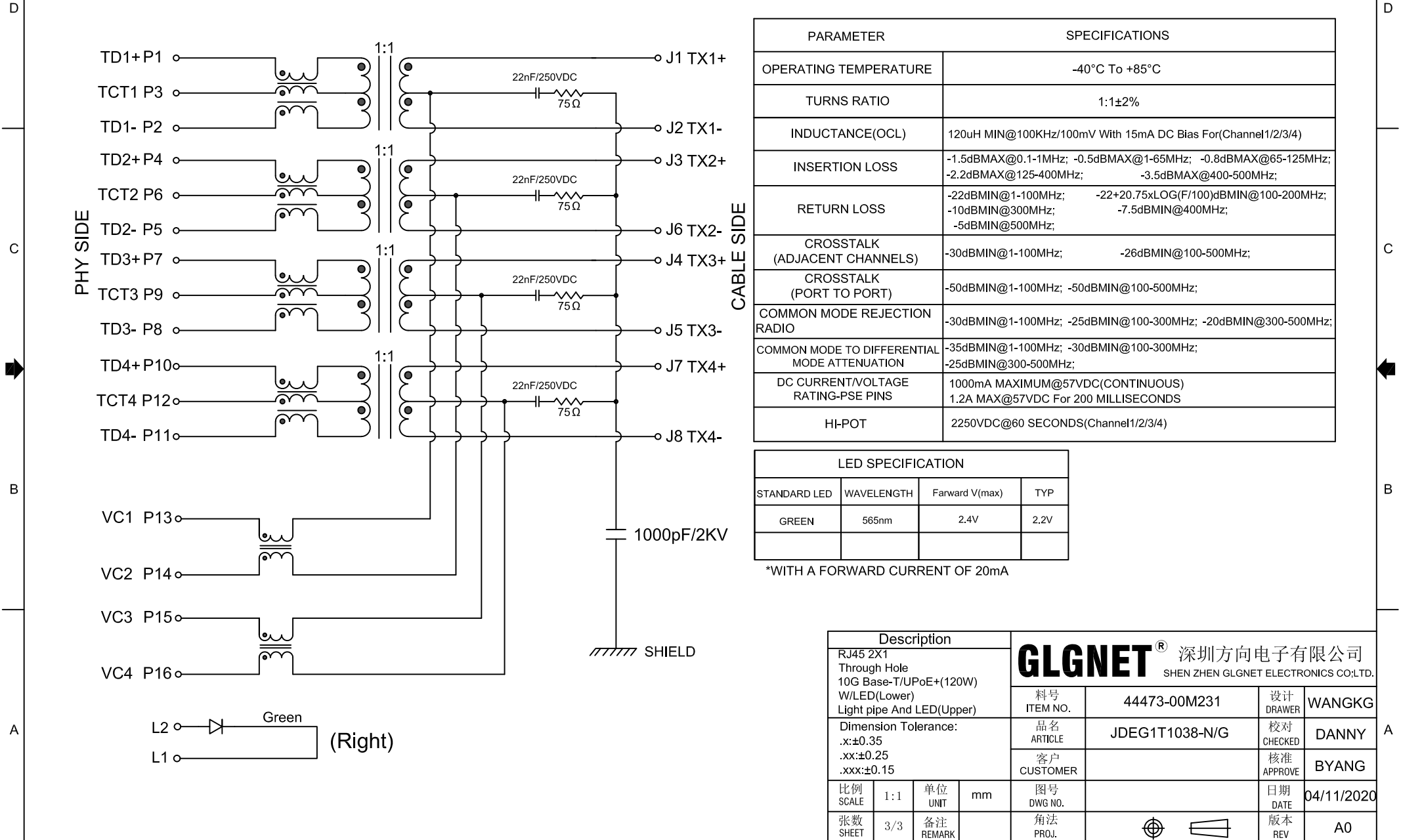
NO.	ECN NO.	DESCRIPTION	REV.	DRAW	DATE

RECOMMENDED P.C.B LAYOUT
 TOP VIEW (COMPONENT SIDE)
 Dimension Tolerances:
 PCB LAYOUT
 Tolerances:±0.05[0.002]

Description				GLGNET® 深圳方向电子有限公司 SHEN ZHEN GLGNET ELECTRONICS CO.,LTD.			
RJ45 2X1 Through Hole 10G Base-T/UPoE+(120W) W/LED(Lower) Light pipe And LED(Upper)				料号 ITEM NO.	44473-00M231	设计 DRAWER	WANGKG
Dimension Tolerance: .x:±0.35 .xx:±0.25 .xxx:±0.15				品名 ARTICLE	JDEG1T1038-N/G	校对 CHECKED	DANNY
比例 SCALE 1:1				客户 CUSTOMER		核准 APPROVE	BYANG
单位 UNIT mm	图号 DWG NO.			日期 DATE	04/11/2020	版本 REV	A0
张数 SHEET 2/3	备注 REMARK			角法 PROJ.			

Schematic

NO.	ECN NO.	DESCRIPTION	REV.	DRAW	DATE



PARAMETER	SPECIFICATIONS
OPERATING TEMPERATURE	-40°C To +85°C
TURNS RATIO	1:1±2%
INDUCTANCE(OCL)	120uH MIN@100KHz/100mV With 15mA DC Bias For(Channel1/2/3/4)
INSERTION LOSS	-1.5dBMAX@0.1-1MHz; -0.5dBMAX@1-65MHz; -0.8dBMAX@65-125MHz; -2.2dBMAX@125-400MHz; -3.5dBMAX@400-500MHz;
RETURN LOSS	-22dBMIN@1-100MHz; -22+20.75xLOG(F/100)dBMIN@100-200MHz; -10dBMIN@300MHz; -7.5dBMIN@400MHz; -5dBMIN@500MHz;
CROSSTALK (ADJACENT CHANNELS)	-30dBMIN@1-100MHz; -26dBMIN@100-500MHz;
CROSSTALK (PORT TO PORT)	-50dBMIN@1-100MHz; -50dBMIN@100-500MHz;
COMMON MODE REJECTION RADIO	-30dBMIN@1-100MHz; -25dBMIN@100-300MHz; -20dBMIN@300-500MHz;
COMMON MODE TO DIFFERENTIAL MODE ATTENUATION	-35dBMIN@1-100MHz; -30dBMIN@100-300MHz; -25dBMIN@300-500MHz;
DC CURRENT/VOLTAGE RATING-PSE PINS	1000mA MAXIMUM@57VDC(CONTINUOUS) 1.2A MAX@57VDC For 200 MILLISECONDS
HI-POT	2250VDC@60 SECONDS(Channel1/2/3/4)

LED SPECIFICATION			
STANDARD LED	WAVELENGTH	Forward V(max)	TYP
GREEN	565nm	2.4V	2.2V

*WITH A FORWARD CURRENT OF 20mA

Description		GLGNET ® 深圳方向电子有限公司 SHEN ZHEN GLGNET ELECTRONICS CO.,LTD.			
RJ45 2X1 Through Hole 10G Base-T/UPoE+(120W) W/LED(Lower) Light pipe And LED(Upper)		料号 ITEM NO.	44473-00M231	设计 DRAWER	WANGKG
Dimension Tolerance: .x:±0.35 .xx:±0.25 .xxx:±0.15		品名 ARTICLE	JDEG1T1038-N/G	校对 CHECKED	DANNY
比例 SCALE 1:1 单位 UNIT mm		客户 CUSTOMER		核准 APPROVE	BYANG
张数 SHEET 3/3	备注 REMARK	图号 DWG NO.		日期 DATE	04/11/2020
		角法 PROJ.		版本 REV	A0