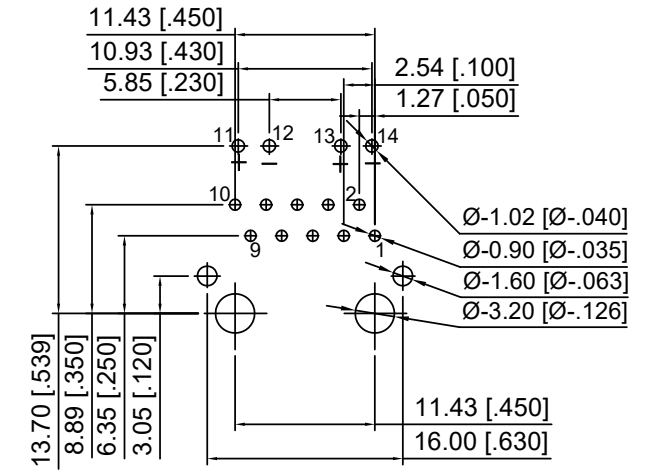
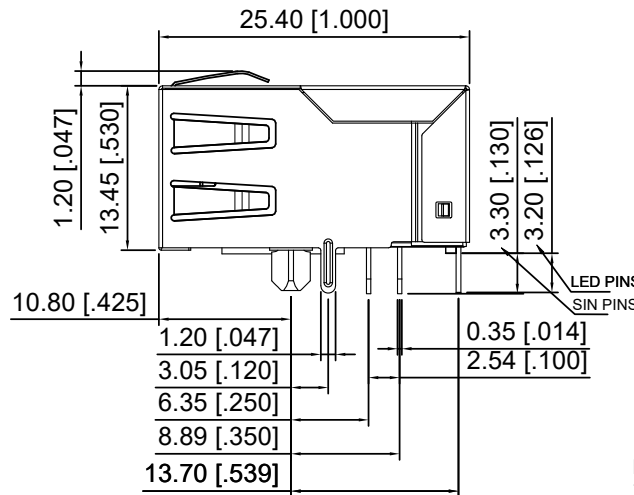
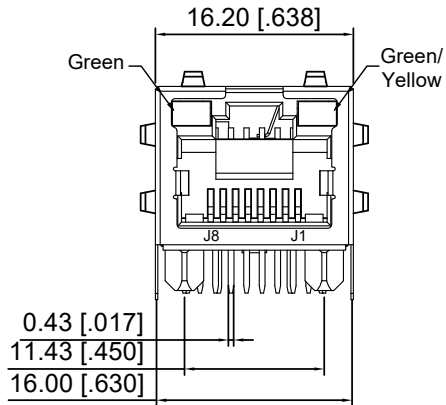


# Mechanical

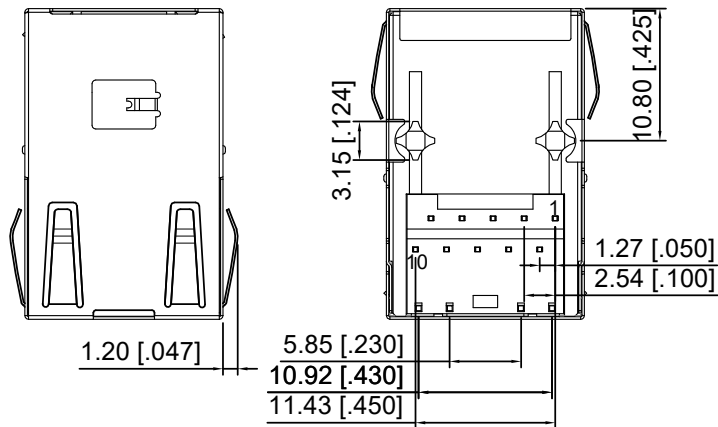
NO.	ECN NO.	DESCRIPTION	REV.	DRAW	DATE
1					
2					
3					

D  
C  
B  
A

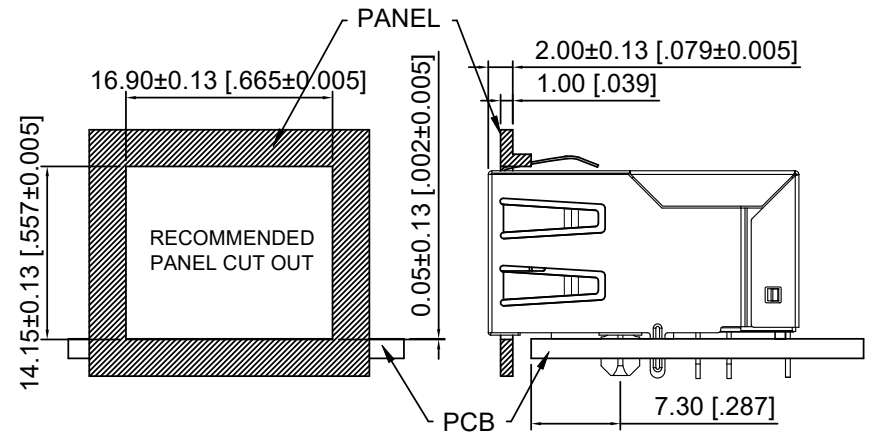


RECOMMENDED P.C.B LAYOUT  
TOP VIEW (COMPONENT SIDE)

Dimensions Tolerance:  
All PCB LAYOUT  
Tolerances:±0.05[.002]



GoldPlating	Option
GF	<input type="checkbox"/>
3μ"	<input type="checkbox"/>
6μ"	<input checked="" type="checkbox"/>
15μ"	<input type="checkbox"/>
30μ"	<input type="checkbox"/>
50μ"	<input type="checkbox"/>



## MATERIALS

1.HOUSING:GLASS FILLED PA46(BLACK) UL94V-0(ROHS)
2.CONTACT: PHOSPHOR BRONZE,50-100 MICROINCHES MIN. OVERALL DUCTILE NICKEL UNDERPLATE WITH SELECTED 6U GOLD AT MATING INTERFACE
3.SHIELD:0.2mm THICKNESS WITH BRASS.
4.JACK CAVITY CONFORMS TO FCC RULES AND REGULATIONS PART 68 SUBPART F
5.THE PART IS RECOMMENDED FOR WAVE SOLDERING PROCESS PEAK SOLDERING TEMPERATURE IS 260°C MAX,10 SECS MAX.
6.OPERATING TEMPERATURE:-40°C TO +85°C. STORAGE TEMPERATURE:-40°C TO +85°C.

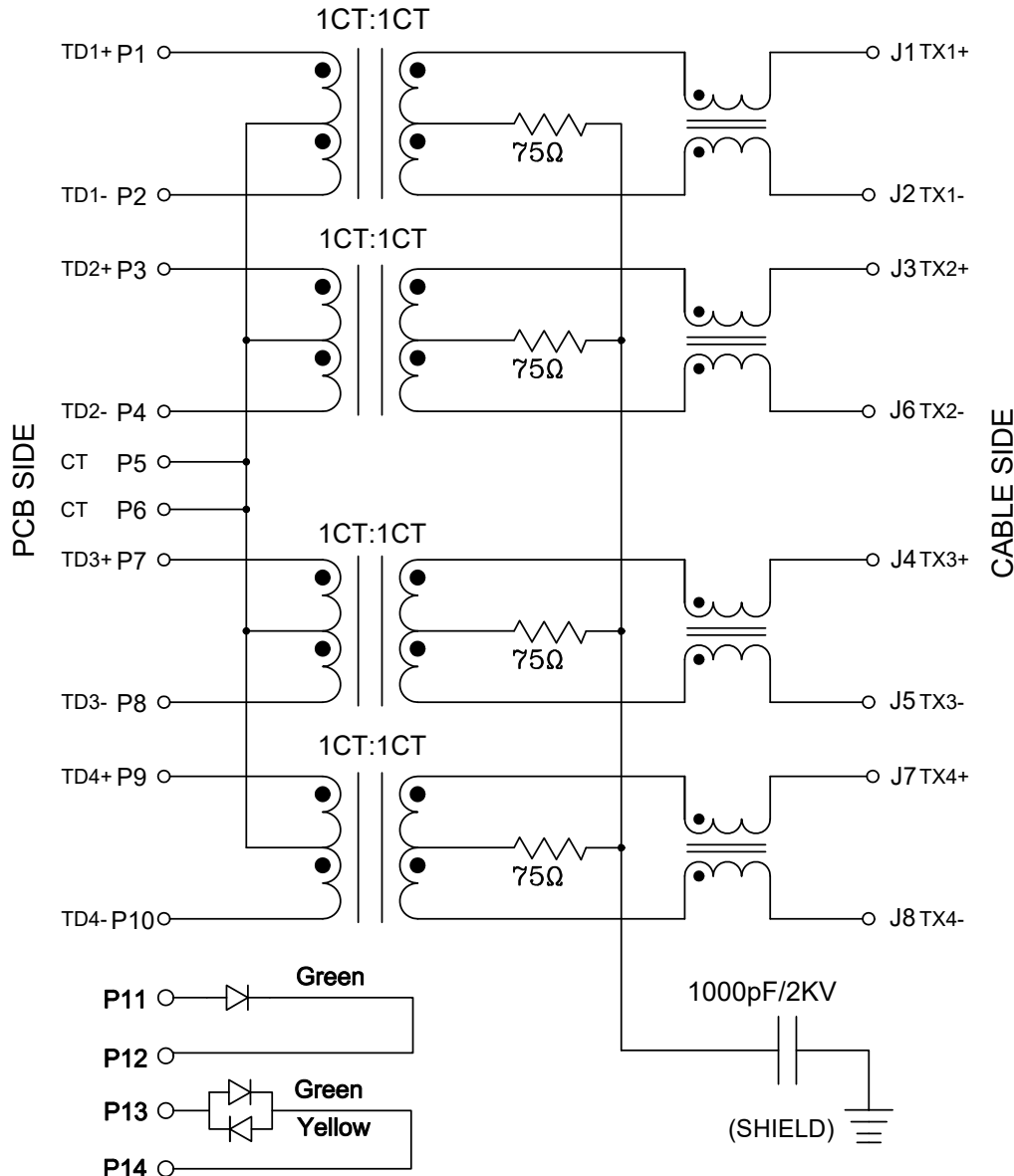
产品客户图 Customer Drw		未注公差 TOLERANCE UNLESS OTHERWISE SPECIFIED		比例 SCALE		张数 SHEET		单位 UNIT	
0.XX	±0.10	X.XX	±0.25	1:1	角法 PROJ.	1/2	大小 SIZE	mm	版本 REV.
XX.XX	±0.25	X°	±2°	1:1	设计 DESIGN	1/2	A4	mm	A0
Description		RJ45 1X1 Tab_Up/Through Hole 10/100/1000Base-T W/LED		设计 CHECKED		核准 APPROVED		品名 TITLE	
WANGKG		DANNY		BYANG		JGA1T802W-G/D1P		料号 ITEM NO.	
2022.10.19		2022.10.19		2022.10.19		图号 DWG NO.			

**GLGNET**

® 深圳市方向电子股份有限公司  
SHEN ZHEN GLGNET ELECTRONICS CO., LTD.

# Schematic

NO.	ECN NO.	DESCRIPTION	REV.	DRAW	DATE
1					
2					
3					



PARAMETER	SPECIFICATIONS
OPERATING TEMPERATURE	-40°C To +85°C
TURNS RATIO	1:1±2%
INDUCTANCE(OCL)	350uH MIN@100KHz/100mV With 8mA DC Bias
INSERTION LOSS	-1.0dB MAX@0.3MHz-100MHz;
RETURN LOSS (Z out=100 OHM)	-18dB MIN@1MHz-30MHz; -13dB MIN@30MHz-60MHz; -10dB MIN@60MHz-100MHz;
CROSSTALK (ADJACENT CHANNELS)	-30dB MIN@1MHz-100MHz;
COMMON MODE REJECTION RATIO	-30dB MIN@1MHz-100MHz;
HI-POT	2250 VDC@60 SECONDS

LED SPECIFICATION			
STANDARD LED	WAVELENGTH	Farward V(max)	TYP
GREEN	565nm	2.4V	2.2V
YELLOW	590nm	2.5V	2.1V

\*WITH A FORWARD CURRENT OF 20mA

产品客户图 Customer Drw		GLGNET		深圳市方向电子股份有限公司			
未注公差 TOLERANCE UNLESS OTHERWISE SPECIFIED	0.XX ±0.10 X.XX ±0.25 XX.XX ±0.25 X° ±2°	Description RJ45 1X1 Tab_Up/Through Hole 10/100/1000Base-T W/LED				SHEN ZHEN GLGNET ELECTRONICS CO., LTD.	
比例 SCALE	1:1	角法 PROJ.	设计 DESIGN	WANGKG	2022.10.19	品名 TITLE	JGA1T802W-G/D1P
张数 SHEET	2/2	大小 SIZE	A4	校对 CHECKED	DANNY	2022.10.19	料号 ITEM NO.
单位 UNIT	mm	版本 REV.	A0	核准 APPROVED	BYANG	2022.10.19	图号 DWG NO.