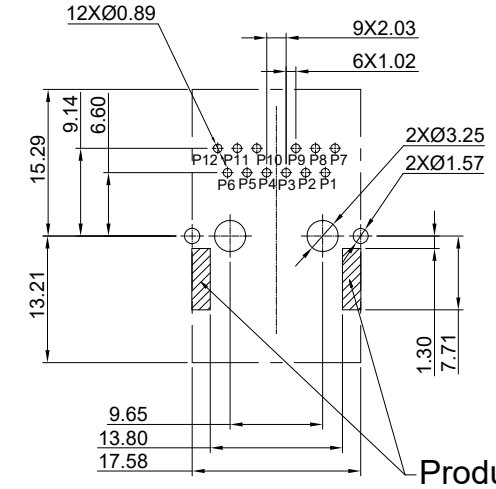


Mechanical

NO.	ECN NO.	DESCRIPTION	REV.	DRAW	DATE
1					
2					
3					

GoldPlating	Option
GF	<input checked="" type="checkbox"/>
3μ"	<input type="checkbox"/>
6μ"	<input type="checkbox"/>
15μ"	<input type="checkbox"/>
30μ"	<input type="checkbox"/>
50μ"	<input type="checkbox"/>



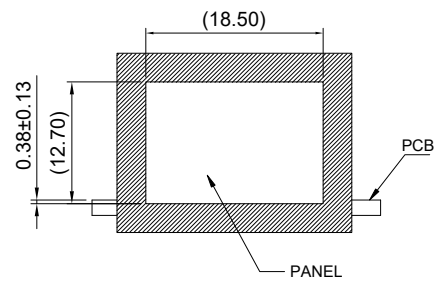
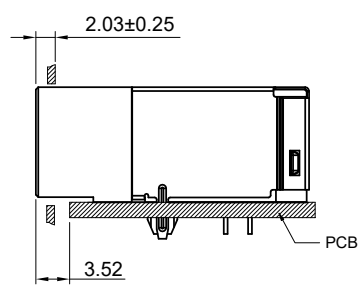
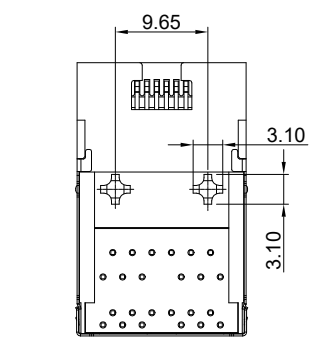
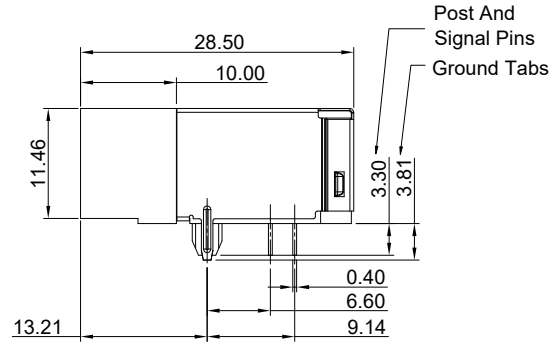
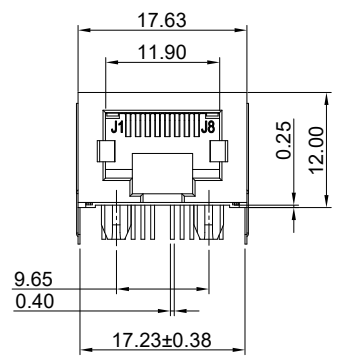
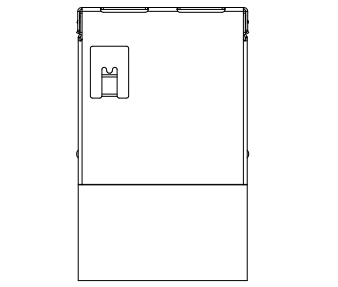
Product profile

RECOMMENDED P.C.B LAYOUT
TOP VIEW (COMPONENT SIDE)

Dimensions Tolerance:
All PCB LAYOUT
Tolerances:±0.05[.002]

MATERIALS

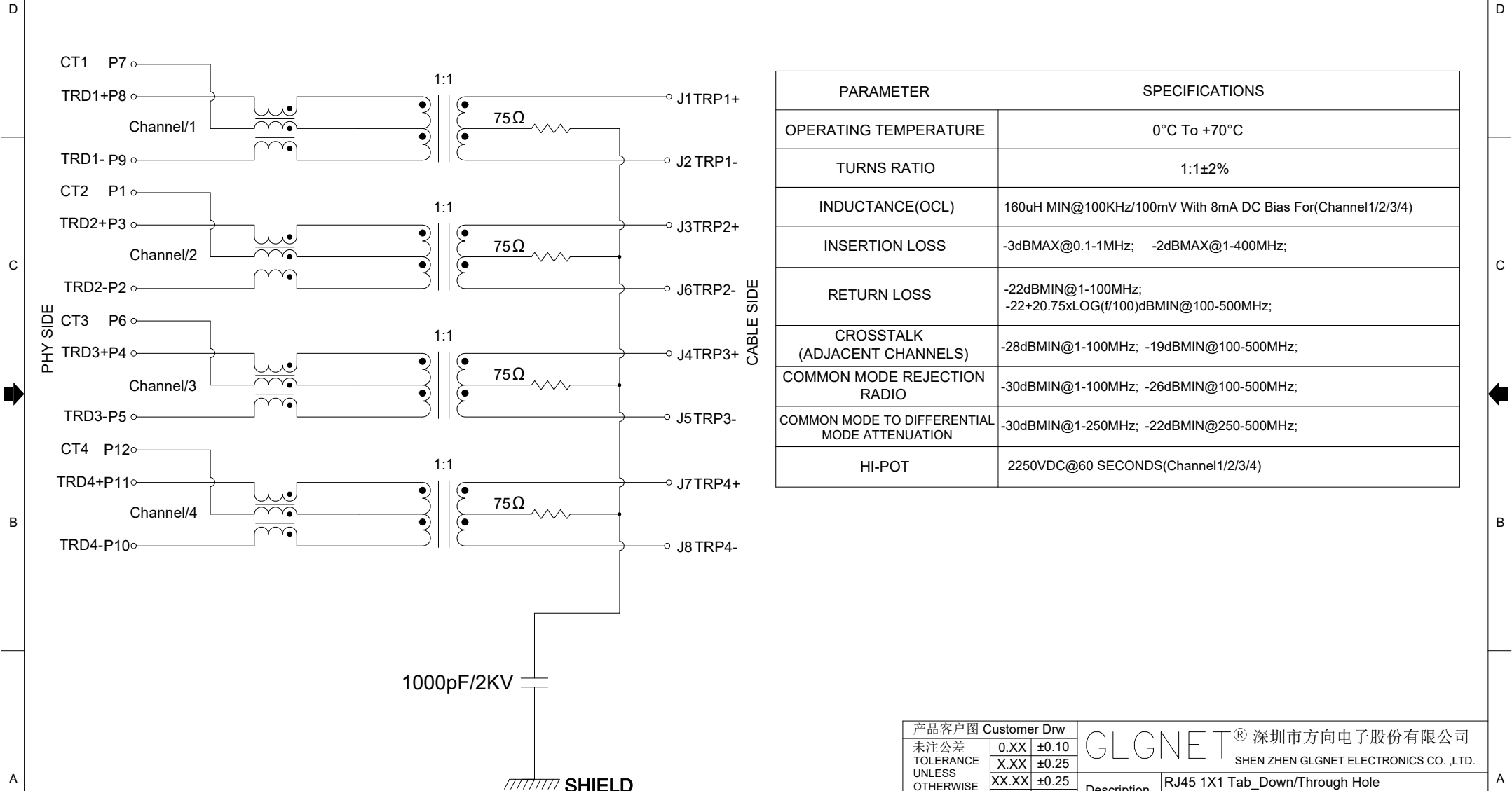
- 1.HOUSING:GLASS FILLED PA66(ORANGE/151C) UL94V-0(ROHS)
- 2.CONTACT:PHOSPHOR BRONZE.50 MICROINCHES MIN. OVERALL DUCTILE NICKEL UNDERPLATEWITH SELECTED GOLD FLASH AT MATING INTERFACE
- 3.SHIELD:0.2mm THICKNESS WITH BRASS.
- 4.JACK CAVITY CONFORMS TO FCC RULES AND REGULATIONS PART 68 SUBPART F
- 5.THE PART IS RECOMMENDED FOR WAVE SOLDERING PROCESS PEAK SOLDERING TEMPERATURE IS 265±5°C ,10 SECS.
- 6.OPERATING TEMPERATURE:0°C TO +70°C.
STORAGE TEMPERATURE:-40°C TO +85°C.



产品客户图 Customer Drw		GLGNET® 深圳市方向电子股份有限公司 SHEN ZHEN GLGNET ELECTRONICS CO.,LTD.			
未注公差	0.XX ±0.10	Description	RJ45 1X1 Tab_Down/Through Hole 10G Base-T W/O LED		
TOLERANCE	X.XX ±0.25				
UNLESS	XX.XX ±0.25				
OTHERWISE	X° ±2°	设计	WANGKG 2022.09.19	品名	JPHG1S827-B
SPECIFIED		校对	DANNY 2022.09.19	料号	130040-00411
比例	1:1	核准	BYANG 2022.09.19	图号	
SCALE		APPROVED		DWG NO.	
张数	1/2	单位	mm		
SHEET		版本	B0		
单位		REV.			

Schematic

NO.	ECN NO.	DESCRIPTION	REV.	DRAW	DATE
1					
2					
3					



PARAMETER	SPECIFICATIONS
OPERATING TEMPERATURE	0°C To +70°C
TURNS RATIO	1:1±2%
INDUCTANCE(OCL)	160uH MIN@100KHz/100mV With 8mA DC Bias For(Channel1/2/3/4)
INSERTION LOSS	-3dBMAX@0.1-1MHz; -2dBMAX@1-400MHz;
RETURN LOSS	-22dBMIN@1-100MHz; -22+20.75xLOG(f/100)dBMIN@100-500MHz;
CROSSTALK (ADJACENT CHANNELS)	-28dBMIN@1-100MHz; -19dBMIN@100-500MHz;
COMMON MODE REJECTION RADIO	-30dBMIN@1-100MHz; -26dBMIN@100-500MHz;
COMMON MODE TO DIFFERENTIAL MODE ATTENUATION	-30dBMIN@1-250MHz; -22dBMIN@250-500MHz;
HI-POT	2250VDC@60 SECONDS(Channel1/2/3/4)

产品客户图 Customer Drw				GLGNET® 深圳市方向电子股份有限公司 SHEN ZHEN GLGNET ELECTRONICS CO.,LTD.			
未注公差 TOLERANCE UNLESS OTHERWISE SPECIFIED	0.XX ±0.10 X.XX ±0.25 XX.XX ±0.25 X° ±2°	Description		RJ45 1X1 Tab_Down/Through Hole 10G Base-T W/O LED			
比例 SCALE	1:1	角法 PROJ.	设计 DESIGN	WANGKG	2022.09.19	品名 TITLE	JPHG1S827-B
张数 SHEET	2/2	大小 SIZE	A4	校对 CHECKED	DANNY	2022.09.19	料号 ITEM NO.
单位 UNIT	mm	版本 REV.	B0	核准 APPROVED	BYANG	2022.09.19	图号 DWG NO.