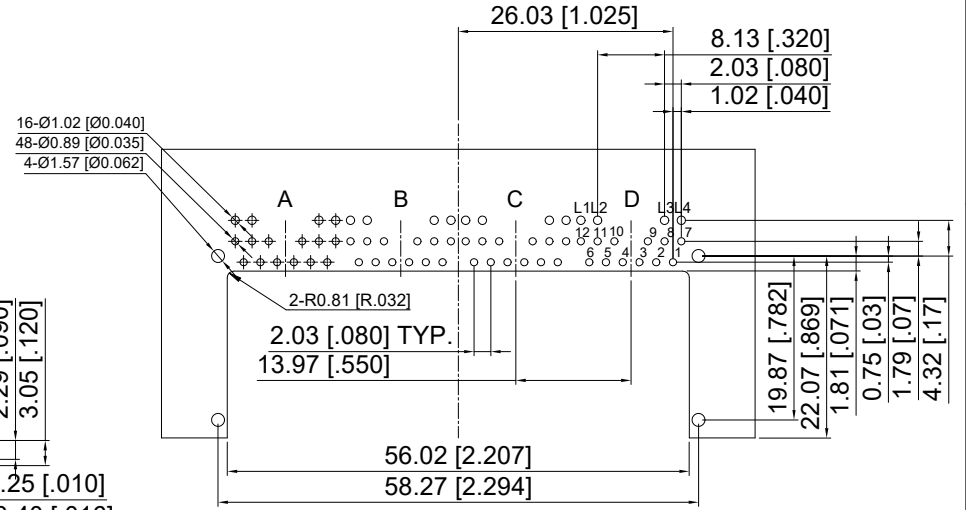
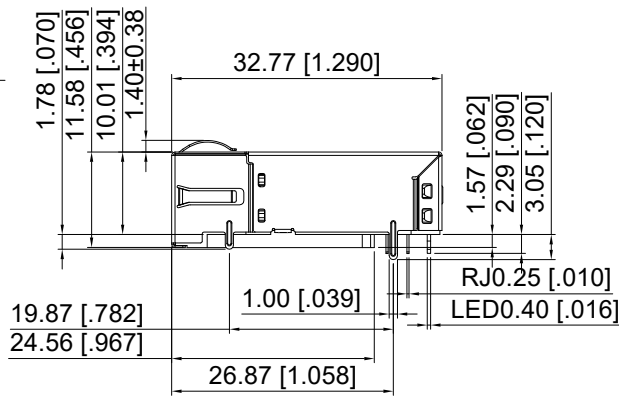
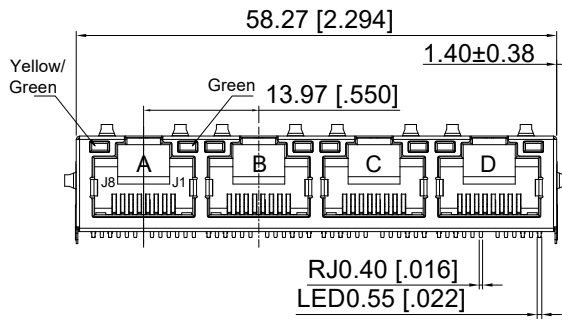
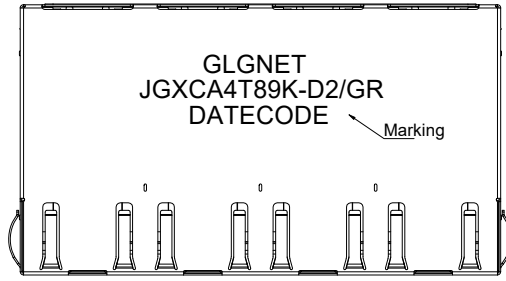


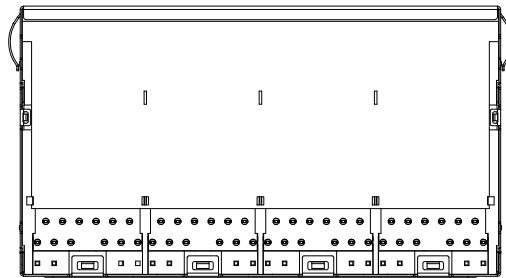
# Mechanical

NO.	ECN NO.	DESCRIPTION	REV.	DRAW	DATE

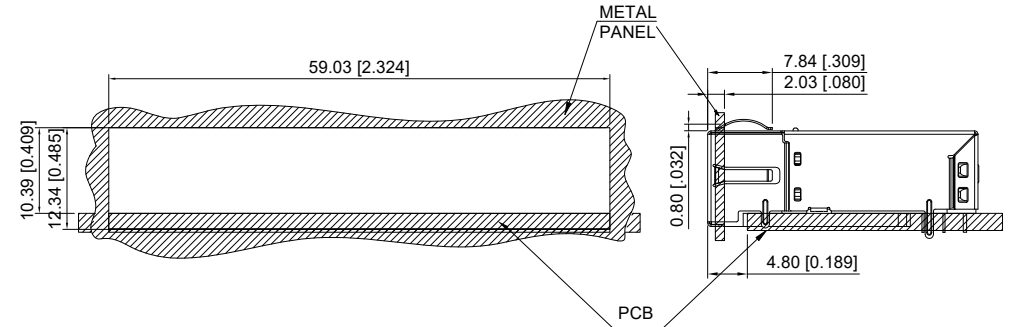


Dimensions Tolerance:  
All PCB LAYOUT  
Tolerances:±0.05[.002]

RECOMMENDED P.C.B LAYOUT  
TOP VIEW (COMPONENT SIDE)



GoldPlating	Option
1.8μ"	<input type="checkbox"/>
3μ"	<input type="checkbox"/>
6μ"	<input type="checkbox"/>
15μ"	<input type="checkbox"/>
30μ"	<input checked="" type="checkbox"/>
50μ"	<input type="checkbox"/>

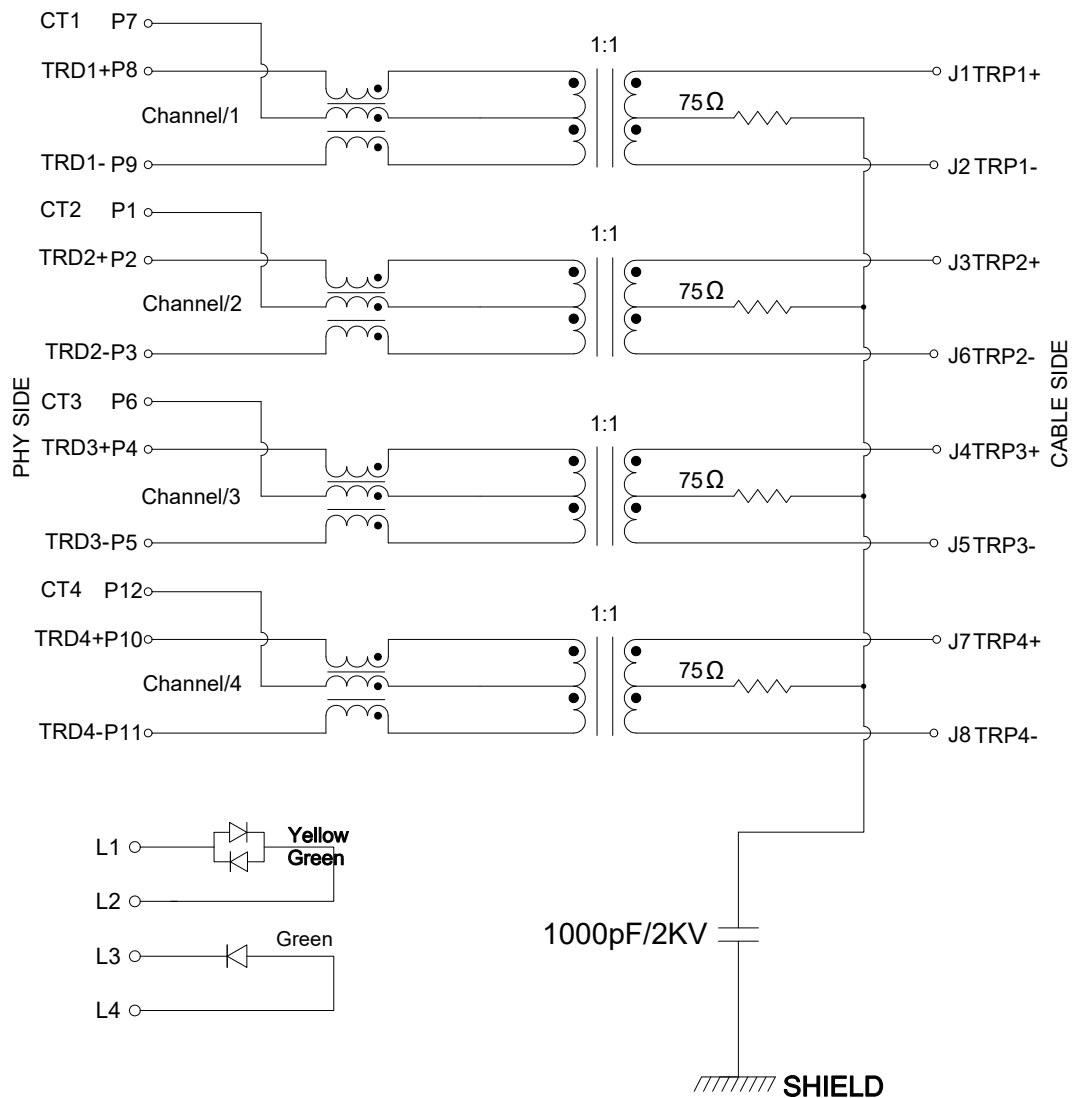


## MATERIALS

- HOUSING: HIGH THERMOPLASTIC, UL94V-0, BLACK (ROHS)
- CONTACT: PHOS-BRONZE, 30U" GOLD PLATING ON CONTACT AREA, NICKEL UNDERPLATING OVERALLE
- SHIELD: 0.2mm THICKNESS WITH BRASS
- JACK CAVITY CONFORMS TO FCC RULES AND REGULATIONS PART 68 SUBPART F
- THE PART IS RECOMMENDED FOR WAVE SOLDERING PROCESS PEAK SOLDERING TEMPERATURE IS 260°C MAX, 10 SECS MAX.
- OPERATING TEMPERATURE: 0°C TO +70°C.  
STORAGE TEMPERATURE: -40°C TO +85°C.

产品客户图 Customer Drw				GLGNET® 深圳市方向电子股份有限公司 SHEN ZHEN GLGNET ELECTRONICS CO., LTD.				
未注公差	.X	±0.35	Description	RJ45 1X4/Tab_Up/Through Hole/Offset 1000Base-T W/LED	品名 TITLE	JGXCA4T89K-D2/GR	图号 ITEM NO.	130027-00311
TOLERANCE	.XX	±0.25						
UNLESS OTHERWISE SPECIFIED	.XXX	±0.15						
比例	1:1	角法 PROJ.	设计 DESIGN	WANGKG	2022.03.21	图号 DWG NO.		
张数	1/2	大小	校对 CHECKED	DANNY	2022.03.21			
单位	mm	版本	核准 APPROVED	BYANG	2022.03.21			

# Schematic



NO.	ECN NO.	DESCRIPTION	REV.	DRAW	DATE

PARAMETER	SPECIFICATIONS
OPERATING TEMPERATURE	0°C To +70°C
URNS RATIO	1:1±2%
OPEN CIRCUIT INDUCTANCE(OCL)	350uH MIN@100KHz/100mV With 8mA DC Bias For(CHANNEL1,2,3,4)
INSERTION LOSS(IL)	-1.0dB MAX@0.3MHz-100MHz;
RETURN LOSS(RL) (Z out=100 OHM)	-18dB MIN@1MHz-30MHz; -16dB MIN@30MHz-60MHz; -12dB MIN@60MHz-80MHz;-10dB MIN@80MHz-100MHz;
CROSSTALK (ADJACENT CHANNELS)	-30dB MIN@1MHz-100MHz;
COMMON MODE REJECTION RATIO(CMRR)	-30dB MIN@1MHz-100MHz;
HI-POT	2250 VDC@60 SECONDS

LED SPECIFICATION			
STANDARD LED	WAVELENGTH	Farward V(max)	TYP
GREEN	525nm	2.4V	2.2V
YELLOW	585nm	2.5V	2.1V

\*WITH A FORWARD CURRENT OF 20mA

产品客户图 Customer Drw				GLGNET® 深圳市方向电子股份有限公司 SHEN ZHEN GLGNET ELECTRONICS CO., LTD.			
未注公差 TOLERANCE UNLESS OTHERWISE SPECIFIED	.X .XX .XXX X°	±0.35 ±0.25 ±0.15 ±2°		Description	RJ45 1X4/Tab_Up/Through Hole/Offset 1000Base-T W/LED		
比例 SCALE	1:1	角法 PROJ.	设计 DESIGN	WANGKG	2022.03.21	品名 TITLE	JGXCA4T89K-D2/GR
张数 SHEET	2/2	大小 SIZE	A4	校对 CHECKED	DANNY	2022.03.21	料号 ITEM NO.
单位 UNIT	mm	版本 REV.	A0	核准 APPROVED	BYANG	2022.03.21	图号 DWG NO.
				130027-00311			