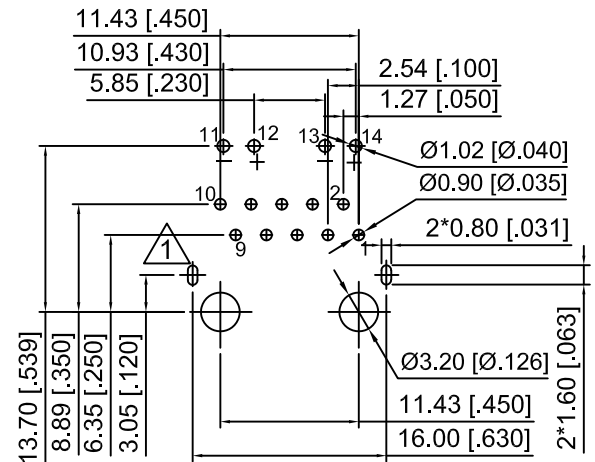
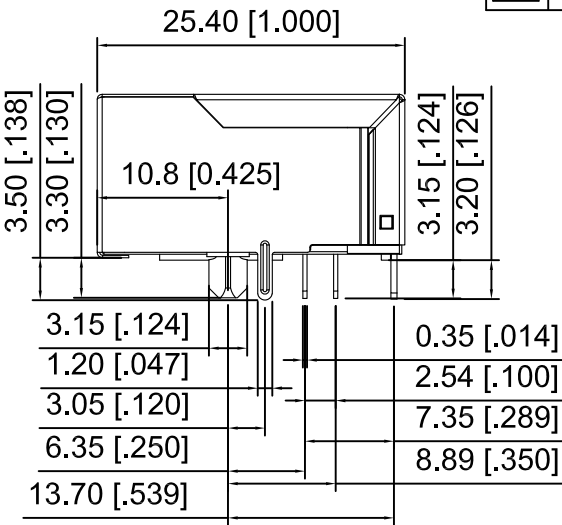
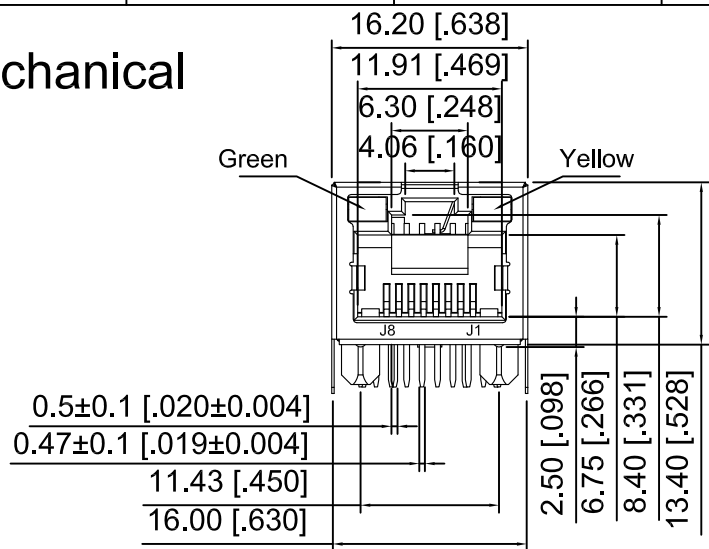


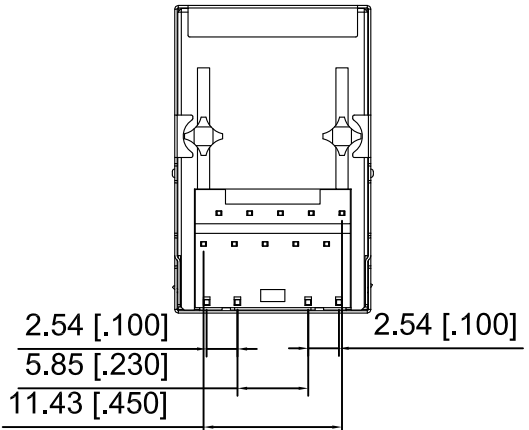
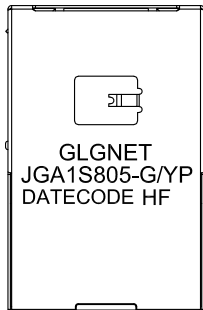
Mechanical

NO.	ECN NO.	DESCRIPTION	REV.	DRAW	DATE
1		1. LAYOUT更新为椭圆孔	A1	DANNY	20.09.11



RECOMMENDED P.C.B LAYOUT
TOP VIEW (COMPONENT SIDE)

Dimensions Tolerance:
All PCB LAYOUT
Tolerances:±0.05[.002]



GoldPlating	Option
GF	<input type="checkbox"/>
3μ"	<input type="checkbox"/>
6μ"	<input checked="" type="checkbox"/>
15μ"	<input type="checkbox"/>
30μ"	<input type="checkbox"/>
50μ"	<input type="checkbox"/>

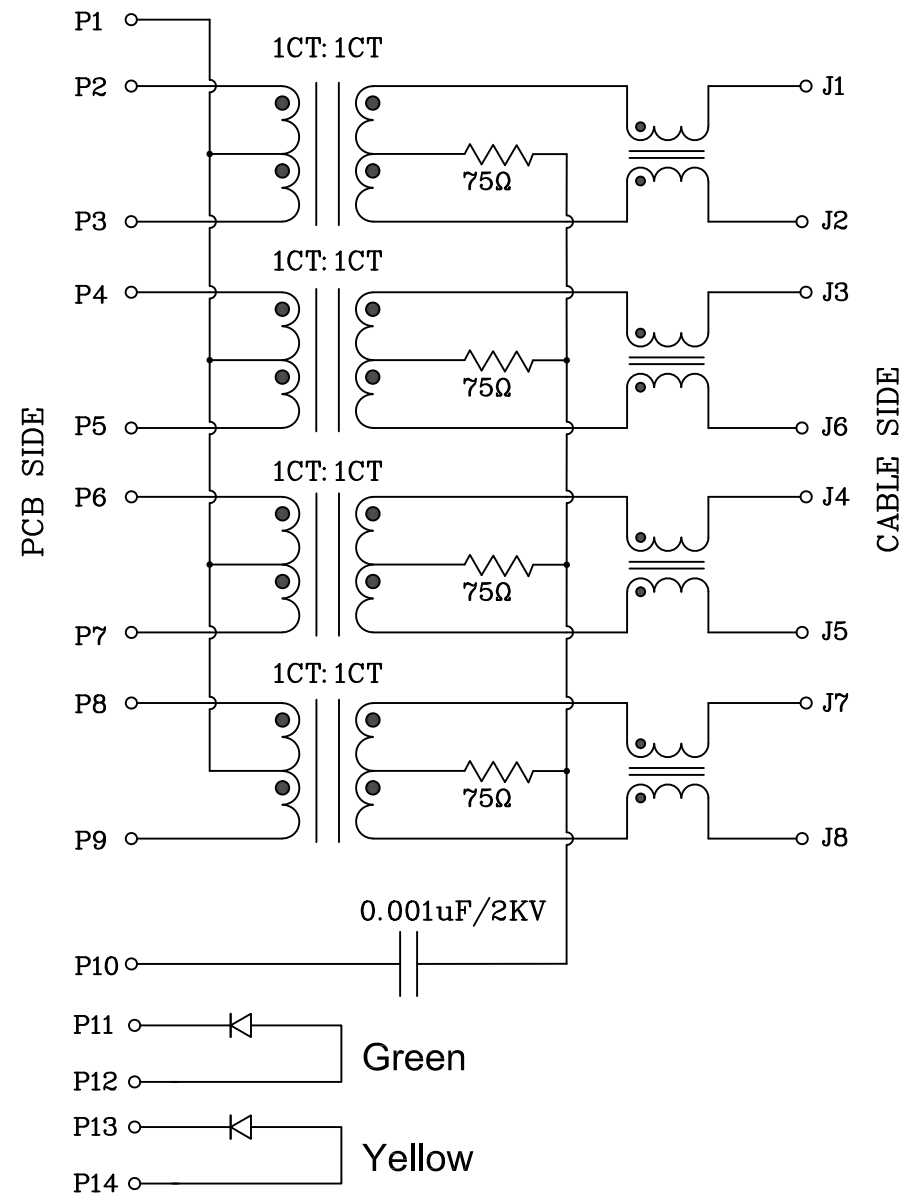
MATERIALS

1.Housing:Glass Filled LCP UL94V-0(ROHS).	7.LED1:Green(ROHS)
2.Insert:Glass Filled LCP UL94V-0(ROHS).	8.LED1:Yellow(ROHS)
3.Shielding:0.2mm Thickness Copper Alloy with Nickel Plated(ROHS).	9.Product single heavy:7.79g/PCS
4.Contact:0.35mm Phosphor Bronze Plating Over Nickel(ROHS).	
5.RJ45 CAVITIES CONFORM TO FCC RULES AND REGULATION PART 68 SUBPART F	
6.ALL THE RAW MATERIALS MEET RoHS & HALOGEN FREE REQUIREMENTS	

Description		GLGNET® 深圳方向电子有限公司 SHEN ZHEN GLGNET ELECTRONICS CO.,LTD.			
RJ45 1X1 Tab_Up Through Hole 10/100/1000Base-T W/LED		料号 ITEM NO.	44173-01M152	设计 DRAW	WANGKG
Dimension Tolerance: 0.xx:±0.10[.004] x.xx:±0.25[.010] xx.xx:±0.25[.010]		品名 TITLE	JGA1S805-G/YP HF	校对 CHECK	DANNY
比例 SCALE 1:1		客户 CUSTOMER		核准 APPROVAL	BYANG
张数 SHEET 1/2	单位 UNIT mm	图号 DWG NO.		日期 DATE	09/14/2020
	备注 REMARK	角法 PROJ.		版本 REV	A1

NO.	ECN NO.	DESCRIPTION	REV.	DRAW	DATE
△1		1. LAYOUT更新为椭圆孔	A1	DANNY	20.09.11

Schematic



PARAMETER	SPECIFICATIONS
OPERATING TEMPERATURE	0°C To +70°C
TURNS RATIO	1:1±5%
INDUCTANCE(OCL)	350uH MIN@100KHz/0.2V With 8mA DC Bias
INSERTION LOSS	-1.0dB MAX@0.3MHz-100MHz;
RETURN LOSS (Z out=100 OHM)	-16dB MIN@1MHz-30MHz; -13dB MIN@30MHz-60MHz; -10dB MIN@60MHz-100MHz;
CROSSTALK (ADJACENT CHANNELS)	-40dB MIN@0.3MHz-30MHz; -35dB MIN@30MHz-60MHz; -30dB MIN@60MHz-100MHz;
COMMON MODE REJECTION RATIO	-30dB MIN@1-30MHz; -25dB MIN@30-100MHz;
HI-POT	2250 VDC@60 SECONDS

Description				GLGNET® 深圳方向电子有限公司 SHEN ZHEN GLGNET ELECTRONICS CO.,LTD.			
RJ45 1X1 Tab_Up Through Hole 10/100/1000Base-T W/LED				料号 ITEM NO.	44173-01M152	设计 DRAW	WANGKG
				品名 TITLE	JGA1S805-G/YP HF	校对 CHECK	DANNY
Dimension Tolerance: 0.xx:±0.10[.004] x.xx:±0.25[.010] xx.xx:±0.25[.010]				客户 CUSTOMER		核准 APPROVAL	BYANG
				比例 SCALE	1:1	单位 UNIT	mm
张数 SHEET	2/2	备注 REMARK		角法 PROJ.	⊕	版本 REV	A1