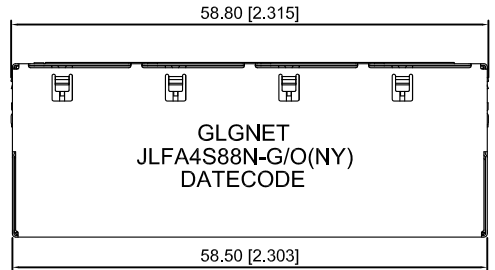


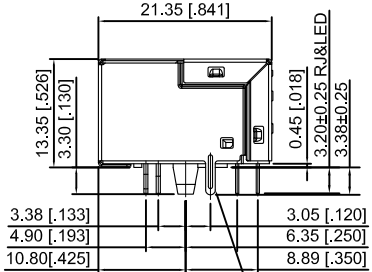
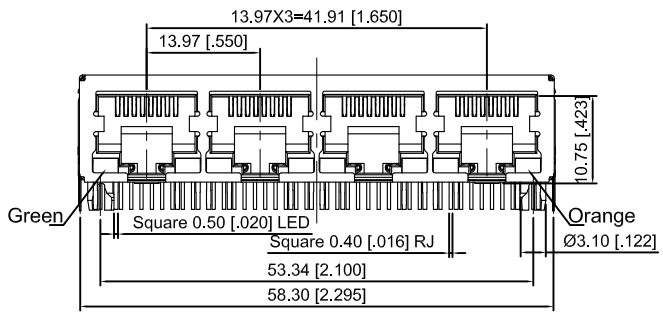
Mechanical

NO.	ECN NO.	DESCRIPTION	REV.	DRAW	DATE

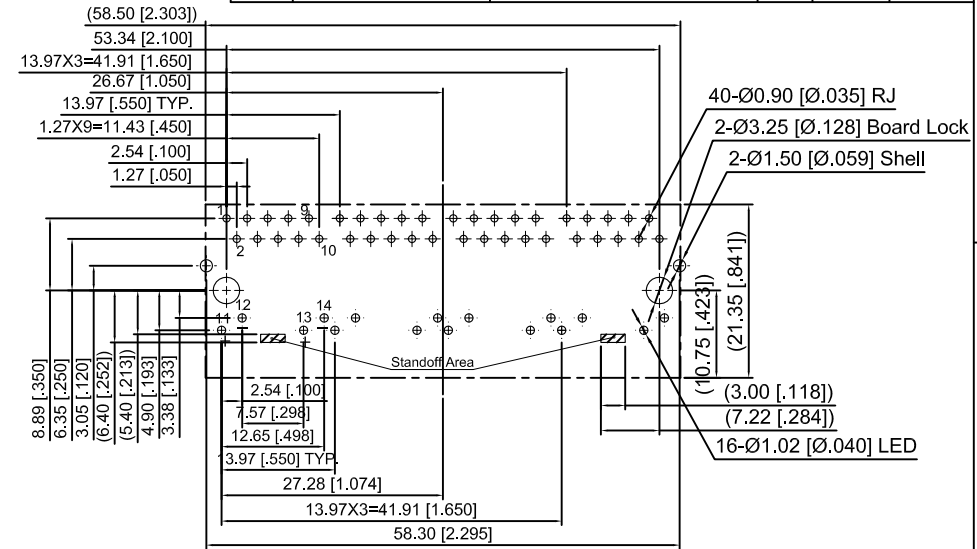


GoldPlating	Option
GF	<input checked="" type="checkbox"/>
3μ"	<input type="checkbox"/>
6μ"	<input type="checkbox"/>
15μ"	<input type="checkbox"/>
30μ"	<input type="checkbox"/>
50μ"	<input type="checkbox"/>

GLGNET
JLFA4S88N-G/O(NY)
DATECODE

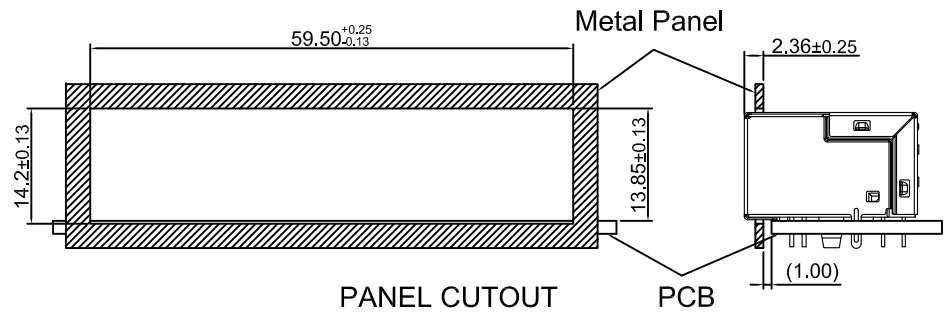
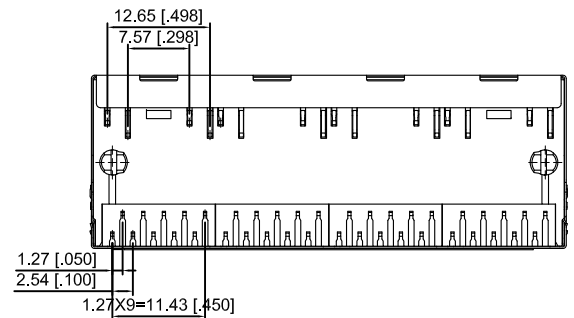


Pre-Soldering



RECOMMENDED P.C.B LAYOUT
TOP VIEW (COMPONENT SIDE)

Dimension Tolerance:
PCB LAYOUT
Tolerances:±0.05[0.002]



PANEL CUTOUT

PCB

MATERIALS

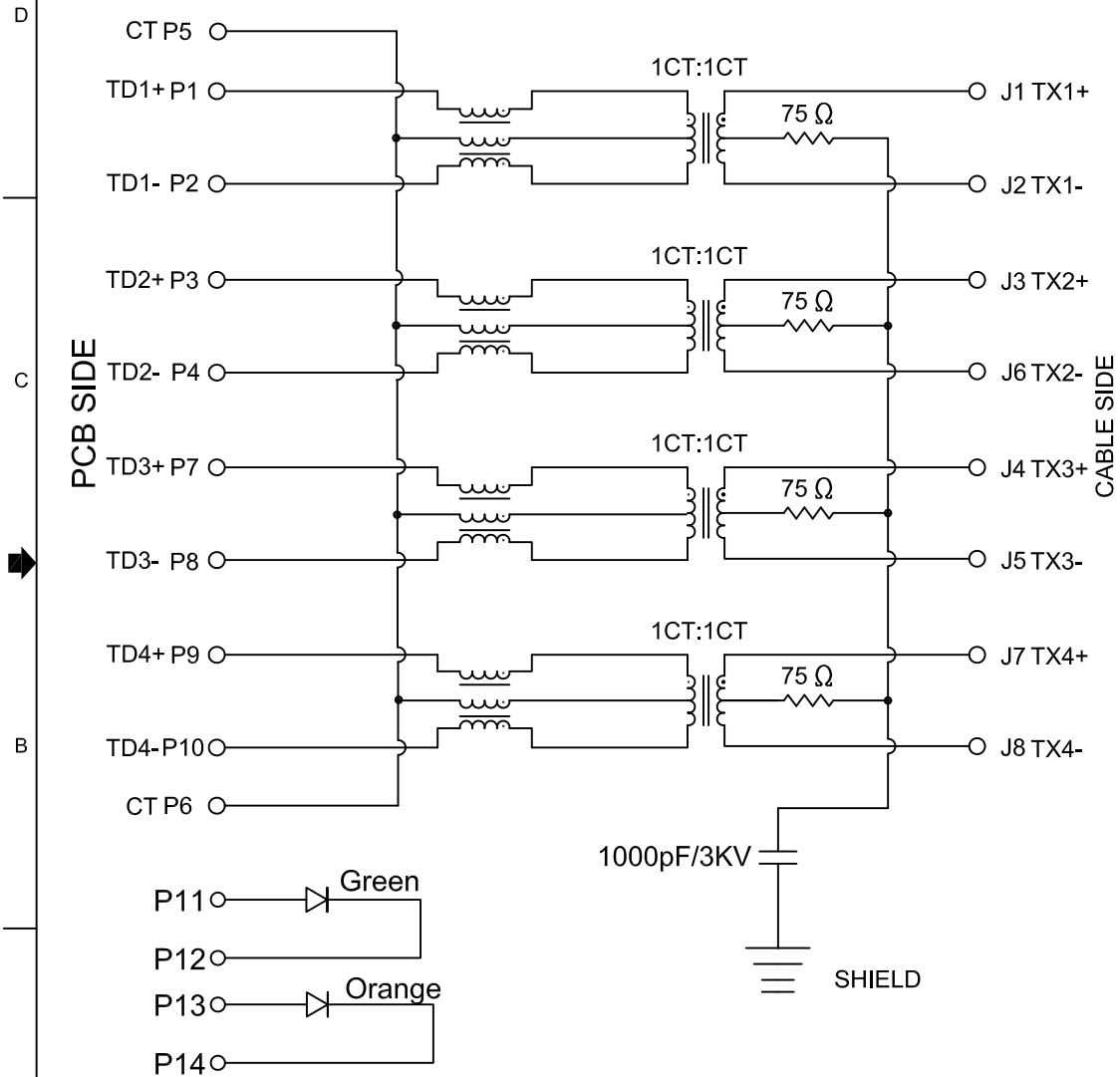
1.HOUSING:GLASS FILLED PBT(114C/YELLOW) UL94V-0(ROHS)
2.CONTACT: GLASS FILLED PA46(BLACK) UL94V-0(ROHS) PHOSPHOR BRONZE,50-100 MICROINCHES MIN. OVERALL DUCTILE NICKEL UNDERPLATE WITH SELECTED GOLD FLASH AT MATING INTERFACE
3.SHIELD:0.2mm THICKNESS WITH STAINLESS.
4.JACK CAVITY CONFORMS TO FCC RULES AND REGULATIONS PART 68 SUBPART F
5.THE PART IS RECOMMENDED FOR WAVE SOLDERING PROCESS PEAK SOLDERING TEMPERATURE IS 260°C MAX,10 SECS MAX.
6.OPERATING TEMPERATURE:0°C TO +70°C. STORAGE TEMPERATURE:-40°C TO +85°C.

Description			
RJ45 1X4 Tab_Down Through Hole 10/100/1000Base-T W/LED			
Dimension Tolerance: 0.xx:±0.10[.004] x.xx:±0.25[.010] xx.xx:±0.25[.010]			
比例 SCALE	1:1	单位 UNIT	mm
张数 SHEET	1/2	备注 REMARK	
料号 ITEM NO.		品名 TITLE	客户 CUSTOMER
设计 DRAW		校对 CHECK	核准 APPROVAL
日期 DATE		版本 REV	
WANGKG		DANNY	BYANG
11/26/2019		A0	

GLGNET 深圳方向电子有限公司
SHEN ZHEN GLGNET ELECTRONICS CO.,LTD.

Schematic

NO.	ECN NO.	DESCRIPTION	REV.	DRAW	DATE



PARAMETER	SPECIFICATIONS
OPERATING TEMPERATURE	0°C To +70°C
TURNS RATIO	1:1±2%
INDUCTANCE(OCL)	350uH MIN@100KHz/100mV With 8mA DC Bias
INSERTION LOSS	-1.0dB MAX@0.3MHz-100MHz;
RETURN LOSS (Z out=100 OHM)	-18dB MIN@1MHz-30MHz; -13dB MIN@30MHz-60MHz; -10dB MIN@60MHz-100MHz;
CROSSTALK (ADJACENT CHANNELS)	-30dB MIN@1MHz-100MHz;
COMMON MODE REJECTION RATIO	-30dB MIN@1MHz-100MHz;
HI-POT	2250 VDC@60 SECONDS
SURGE PROTECTION	LINE-GND:4KV(10/700uS)COMMON PROTECTION MODULE

LED SPECIFICATION			
STANDARD LED	WAVELENGTH	Farward V(max)	TYP
GREEN	565nm	2.4V	2.2V
ORANGE	610nm	2.5V	2.1V

*WITH A FORWARD CURRENT OF 20mA

Description			
RJ45 1X4 Tab_Down Through Hole 10/100/1000Base-T W/LED			
Dimension Tolerance: 0.xx:±0.10[.004] x.xx:±0.25[.010] xx.xx:±0.25[.010]		料号 ITEM NO.	设计 DRAW
比例 SCALE 1:1		品名 TITLE JLFA4S88N-G/O(NY)	校对 CHECK DANNY
张数 SHEET 2/2		客户 CUSTOMER	核准 APPROVAL BYANG
单位 UNIT mm	图号 DWG NO.	日期 DATE 11/26/2019	版本 REV A0
备注 REMARK	角法 PROJ.		

GLGNET 深圳方向电子有限公司
SHEN ZHEN GLGNET ELECTRONICS CO.,LTD.