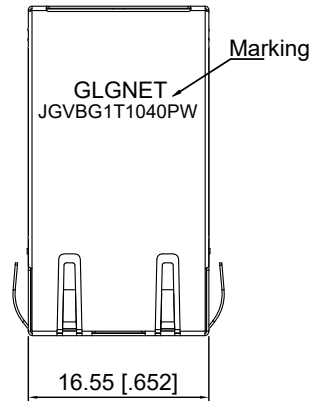
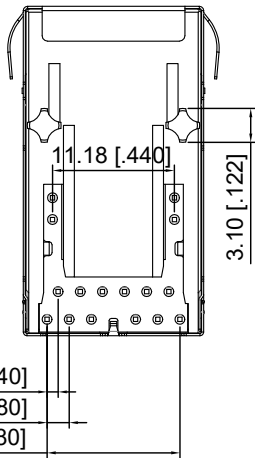
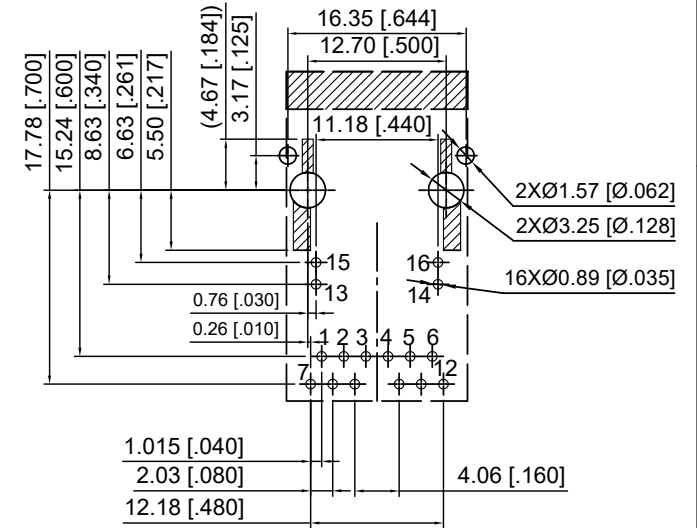
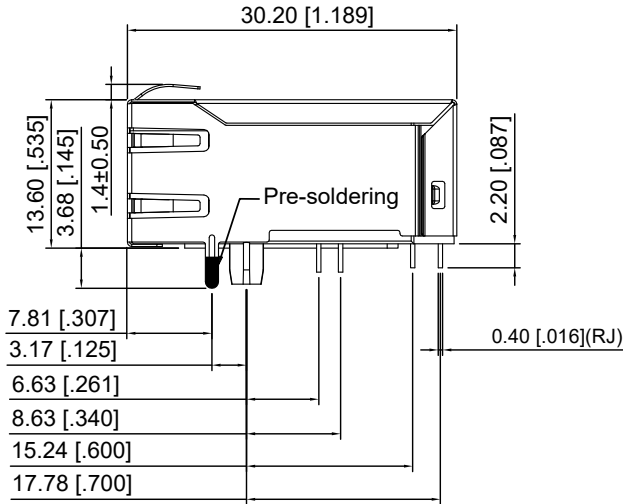
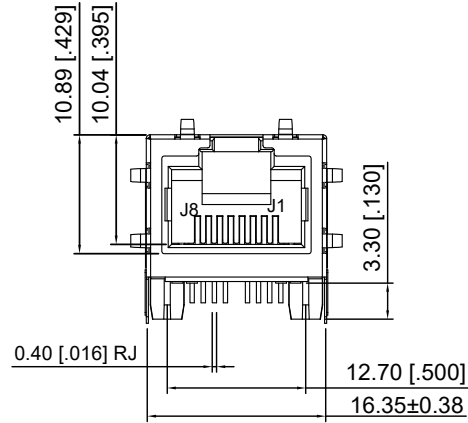


# Mechanical

NO.	ECN NO.	DESCRIPTION	REV.	DRAW	DATE
1					
2					
3					



GoldPlating	Option
1.8μ"	<input type="checkbox"/>
3μ"	<input type="checkbox"/>
6μ"	<input checked="" type="checkbox"/>
15μ"	<input type="checkbox"/>
30μ"	<input type="checkbox"/>
50μ"	<input type="checkbox"/>

RECOMMENDED P.C.B LAYOUT  
TOP VIEW (COMPONENT SIDE)

Dimension Tolerance:  
All PCB LAYOUT  
Tolerance:±0.05[.002]

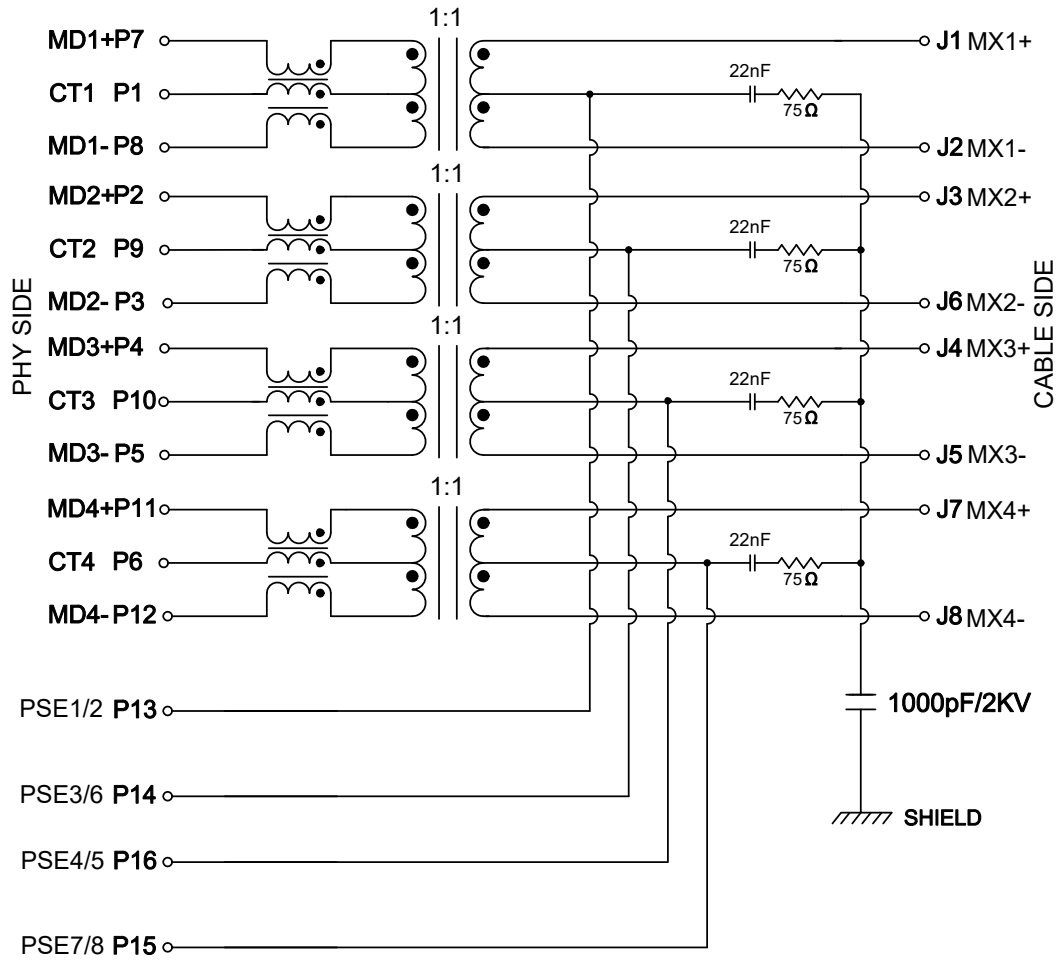
## MATERIALS

1. HOUSING: GLASS FILLED PA46(BLACK) UL94V-0(ROHS)
2. CONTACT: PHOSPHOR BRONZE, 50-100 MICROINCHES MIN. OVERALL DUCTILE NICKEL UNDERPLATE WITH SELECTED 6 MICROINCHES GOLD AT MATING INTERFACE
3. SHIELD: 0.2mm THICKNESS WITH BRASS.
4. JACK CAVITY CONFORMS TO FCC RULES AND REGULATIONS PART 68 SUBPART F
5. THE PART IS RECOMMENDED FOR WAVE SOLDERING PROCESS PEAK SOLDERING TEMPERATURE IS 260°C MAX, 10 SECS MAX.
6. OPERATING TEMPERATURE: -40°C TO +85°C. STORAGE TEMPERATURE: -40°C TO +85°C.

产品客户图 Customer Drw		GLGNET		深圳市方向电子股份有限公司	
未注公差 TOLERANCE UNLESS OTHERWISE SPECIFIED	0.XX ±0.10 X.XX ±0.25 XX.XX ±0.25 X° ±2°	SHEN ZHEN GLGNET ELECTRONICS CO., LTD.			
比例 SCALE	1:1	角法 PROJ.	设计 DESIGN	品名 TITLE	JGVBG1T1040PW
张数 SHEET	1/2	大小 SIZE	A4	校对 CHECKED	DANNY
单位 UNIT	mm	版本 REV.	A0	核准 APPROVED	BYANG
Description		RJ45 1X1 Tab_Up/Through Hole 10G Base-T/4PPoE(120W) W/O LED		料号 ITEM NO.	130020-00711
				图号 DWG NO.	

NO.	ECN NO.	DESCRIPTION	REV.	DRAW	DATE
1					
2					
3					

# Schematic



PARAMETER	SPECIFICATIONS
OPERATING TEMPERATURE	-40°C To +85°C
TURNS RATIO	1:1±2%
INDUCTANCE(OCL)	120uH MIN@100KHz/100mV With 19mA DC Bias For(Channel1/2/3/4)
INSERTION LOSS	-3.0dBMAX@1-500MHz;
RETURN LOSS	-22dBMIN@1-100MHz; -22+20.75xLOG(f/100)dBMIN@100-500MHz;
CROSSTALK (ADJACENT CHANNELS)	-28dBMIN@1-100MHz; -19dBMIN@100-500MHz;
COMMON MODE REJECTION RATIO	-30dBMIN@1-100MHz; -23dBMIN@100-500MHz;
COMMON MODE TO DIFFERENTIAL MODE ATTENUATION	-30dBMIN@1-250MHz; -22dBMIN@250-500MHz;
DC CURRENT/VOLTAGE RATING-PSE PINS	1.2A MAXIMUM@57VDC(CONTINUOUS)
HI-POT	2250VDC@60 SECONDS(Channel1/2/3/4)

产品客户图 Customer Drw		<b>GLGNET</b> ® 深圳市方向电子股份有限公司		SHEN ZHEN GLGNET ELECTRONICS CO., LTD.	
未注公差 TOLERANCE UNLESS OTHERWISE SPECIFIED	0.XX ±0.10 X.XX ±0.25 XX.XX ±0.25 X° ±2°	Description RJ45 1X1 Tab_Up/Through Hole 10G Base-T/4PPoE(120W) W/O LED			
比例 SCALE	1:1	角法 PROJ.	设计 DESIGN	WANGKG	2021.03.26
张数 SHEET	2/2	大小 SIZE	A4	校对 CHECKED	DANNY
单位 UNIT	mm	版本 REV.	A0	核准 APPROVED	BYANG
				品名 TITLE	JGVBG1T1040PW
				料号 ITEM NO.	130020-00711
				图号 DWG NO.	