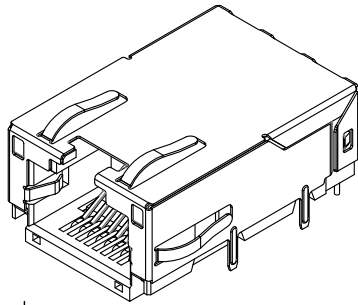
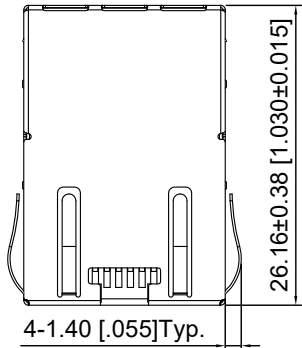


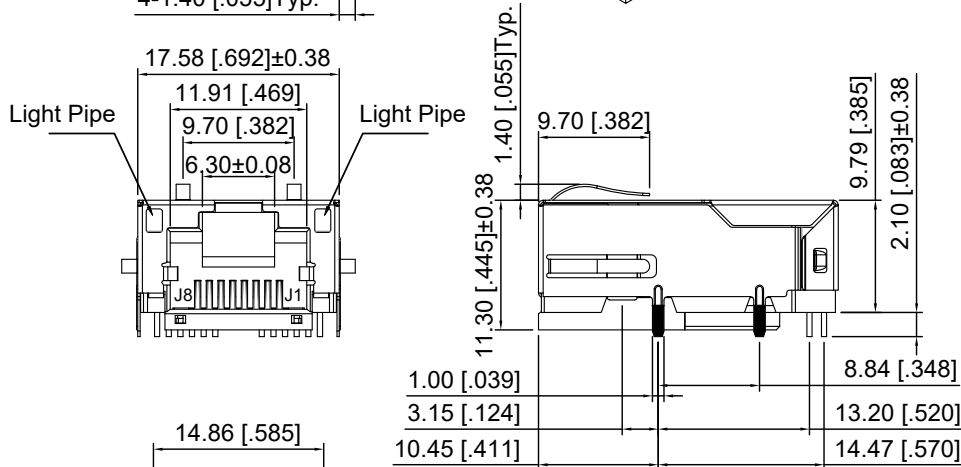
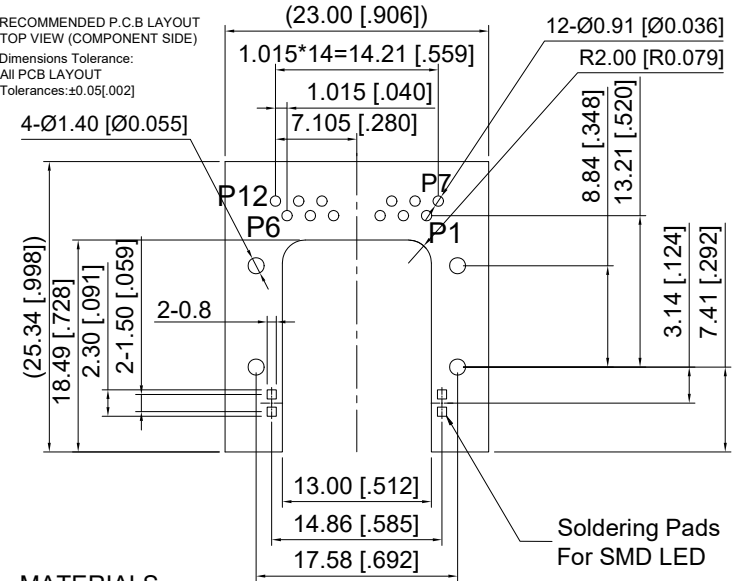
Mechanical

NO.	ECN NO.	DESCRIPTION	REV.	DRAW	DATE
1					
2					
3					



GoldPlating	Option
1.8μ"	<input type="checkbox"/>
3μ"	<input type="checkbox"/>
6μ"	<input type="checkbox"/>
15μ"	<input type="checkbox"/>
30μ"	<input checked="" type="checkbox"/>
50μ"	<input type="checkbox"/>

RECOMMENDED P.C.B LAYOUT
TOP VIEW (COMPONENT SIDE)
Dimensions Tolerance:
All PCB LAYOUT
Tolerances:±0.05[0.002]

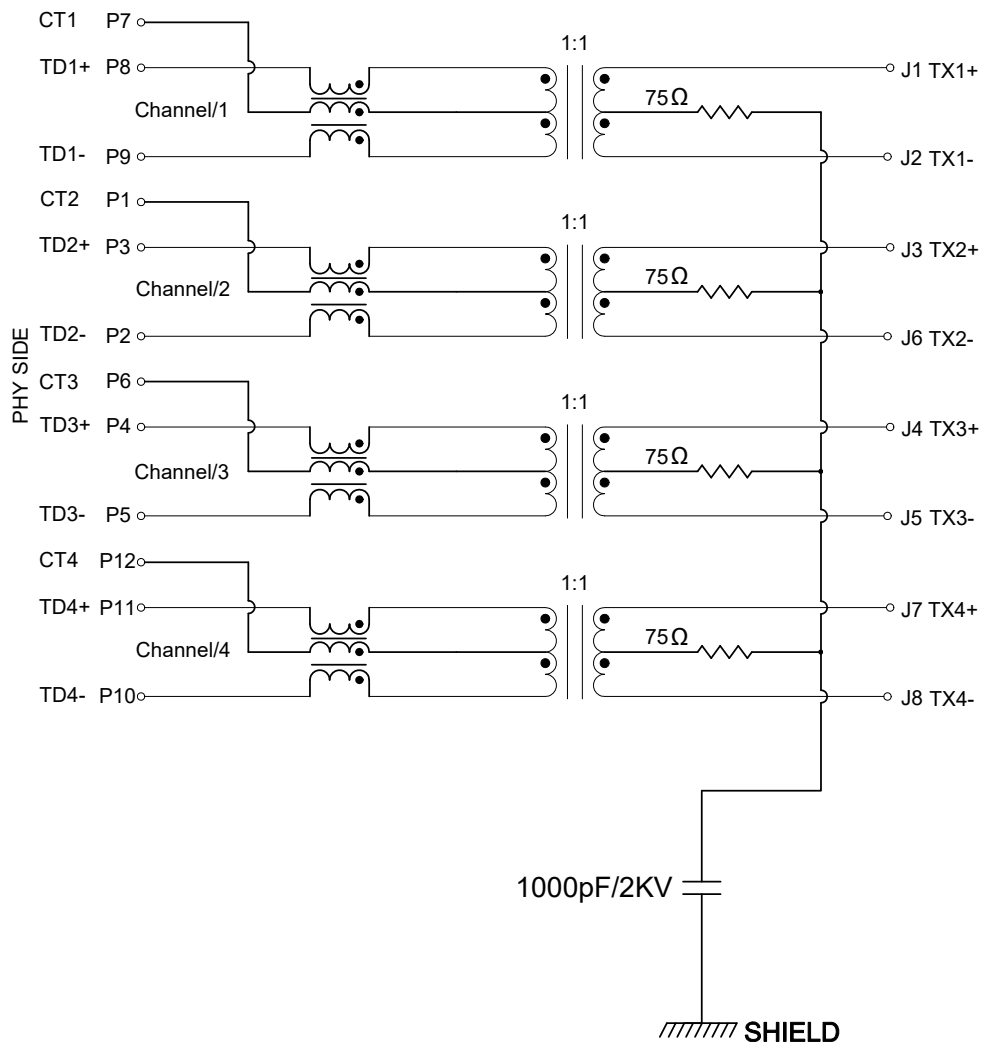


MATERIALS

- HOUSING: GLASS FILLED PA9T (BLACK) UL94V-0 (ROHS)
- CONTACT: PHOSPHOR BRONZE, 50-100 MICRONS MIN. OVERALL DUCTILE NICKEL UNDERPLATE WITH SELECTED 30 MICRONS GOLD AT MATING INTERFACE
- SOLDER TAIL TERMINAL: 100U" TIN MIN, 50U" MIN NICKEL OVERALL.
- SHIELD: 0.2mm THICKNESS WITH STAINLESS (SUS304)
- JACK CAVITY CONFORMS TO FCC RULES AND REGULATIONS PART 68 SUBPART F
- THE PART IS RECOMMENDED FOR WAVE SOLDERING PROCESS PEAK SOLDERING TEMPERATURE IS 260+5/-0°C, 3-5SECS.
- OPERATING TEMPERATURE: 0°C TO +70°C. STORAGE TEMPERATURE: -40°C TO +85°C.

产品客户图 Customer Drw				GLGNET® 深圳市方向电子股份有限公司 SHEN ZHEN GLGNET ELECTRONICS CO., LTD.			
未注公差 TOLERANCE UNLESS OTHERWISE SPECIFIED	0.XX ±0.10 X.XX ±0.25 XX.XX ±0.25 X° ±2°	Description		RJ45 1X1 Tab_Up/Through Hole/Offset 1000Base-T W/Light Pipe			
比例 SCALE	1:1	角法 PROJ.	设计 DESIGN	WANGKG	2021.08.30	品名 TITLE	JGIA1T827
张数 SHEET	1/2	大小 SIZE	校对 CHECKED	DANNY	2021.08.30	料号 ITEM NO.	
单位 UNIT	mm	版本 REV.	核准 APPROVED	BYANG	2021.08.30	图号 DWG NO.	

Schematic



NO.	ECN NO.	DESCRIPTION	REV.	DRAW	DATE
1					
2					

PARAMETER	SPECIFICATIONS
OPERATING TEMPERATURE	0°C To +70°C
TURNS RATIO	1:1±2%
OPEN CIRCUIT INDUCTANCE(OCL)	350uH MIN@100KHz/100mV With 8mA DC Bias For(CHANNEL1,2,3,4)
INSERTION LOSS(IL)	-1.0dB MAX@1MHz-100MHz; -1.2dB MAX@100MHz-125MHz;
RETURN LOSS(RL) (Z out=100 OHM)	-18dB MIN@1MHz-30MHz; -16dB MIN@30MHz-60MHz; -12dB MIN@60MHz-80MHz;-10dB MIN@80MHz-100MHz;
CROSSTALK (ADJACENT CHANNELS)	-30dB MIN@1MHz-100MHz;
COMMON MODE REJECTION RATIO(CMRR)	-30dB MIN@1MHz-100MHz;
HI-POT	2250 VDC

产品客户图 Customer Drw			GLGNET® 深圳市方向电子股份有限公司 SHEN ZHEN GLGNET ELECTRONICS CO.,LTD.				
未注公差 TOLERANCE UNLESS OTHERWISE SPECIFIED	0.XX ±0.10 X.XX ±0.25 XX.XX ±0.25 X° ±2°		Description	RJ45 1X1 Tab_Up/Through Hole/Offset 1000Base-T W/Light Pipe			
比例 SCALE	1:1	角法 PROJ.	设计 DESIGN	WANGKG	2021.08.30	品名 TITLE	JGIA1T827
张数 SHEET	2/2	大小 SIZE	校对 CHECKED	DANNY	2021.08.30	料号 ITEM NO.	
单位 UNIT	mm	版本 REV.	核准 APPROVED	BYANG	2021.08.30	图号 DWG NO.	