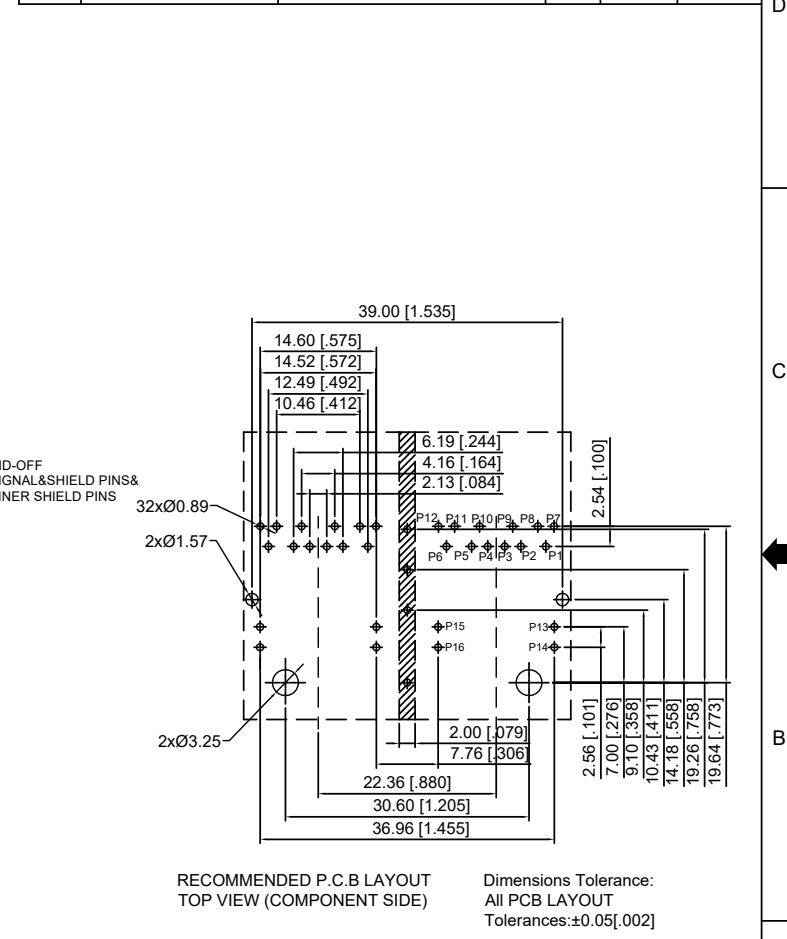
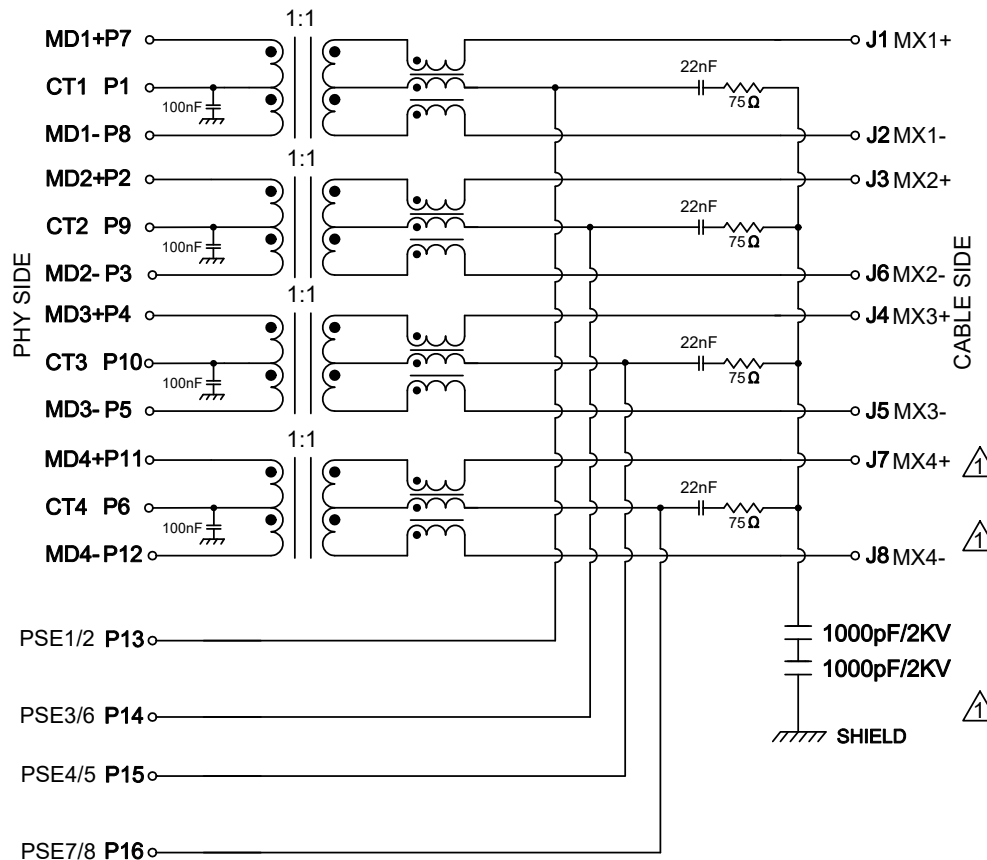


NO.	ECN NO.	DESCRIPTION	REV.	DRAW	DATE
1		1.刷新SI参数,按华为研发要求	A1	DANNY	09.19.2019
2		1.申请PCN,顶部增加两个接地开孔 2.增加麦拉贴合,封闭两个开孔	A2	DANNY	11.20.2019



Description		GLGNET® 深圳方向电子有限公司 SHEN ZHEN GLGNET ELECTRONICS CO.,LTD.			
RJ45 1X2 Tab_Up Through Hole/4PPoE(120W) 10G Base-T/Extended Temp W/O LED		料号 ITEM NO.	44482-80M231	设计 DRAW	WANGKG
Dimension Tolerance: 0.xx:±0.10[.004] x.xx:±0.25[.010] xx.xx:±0.25[.010]		品名 TITLE	JGRBPG2T1034PW	校对 CHECK	DANNY
		客户 CUSTOMER		核准 APPROVAL	BYANG
比例 SCALE	1:1	单位 UNIT	mm	图号 DWG NO.	日期 DATE
张数 SHEET	1/2	备注 REMARK		角法 PROJ.	版本 REV
				日期 DATE	11/20/2019
				版本 REV	A2

Schematic



NO.	ECN NO.	DESCRIPTION	REV.	DRAW	DATE
1		1.刷新SI参数, 按华为研发要求	A1	DANNY	09.19.2019
2		1.申请PCN, 顶部增加两个接地开孔 2.增加麦拉贴合, 封闭两个开孔	A2	DANNY	11.20.2019

PARAMETER	SPECIFICATIONS
OPERATING TEMPERATURE	-40°C To +85°C
URNS RATIO	1:1±2%
INDUCTANCE(OCL)	120uH MIN@100KHz/100mV With 19mA DC Bias For(Channel1/2/3/4)
INSERTION LOSS	-1.5dBMAX@0.1-1MHz; -0.5dBMAX@1-65MHz; -0.8dBMAX@65-125MHz; -2.2dBMAX@125-400MHz; -4.5dBMAX@400-500MHz;
RETURN LOSS	-22dBMIN@1-100MHz; -24+20.75xLOG(f/100)dBMIN@100-200MHz; -12dBMIN@200-300MHz; -9.5dBMIN@300-400MHz -7.5dBMIN@500MHz
CROSSTALK (ADJACENT CHANNELS)	(无FCC) -47dBMIN@1-100MHz; -37dBMIN@100-400MHz; -30dBMIN@400-500MHz; (带FCC) -30dBMIN@1-100MHz; -22dBMIN@100-400MHz; -20dBMIN@400-500MHz;
CROSSTALK (PORT TO PORT)	-70+10LOG(f/100)dBMIN@1-100MHz; -70+15LOG(f/100)dBMIN@100-500MHz;
COMMON MODE REJECTION RADIO	-30dBMIN@1-100MHz; -25dBMIN@100-300MHz; -20dBMIN@300-500MHz;
COMMON MODE TO DIFFERENTIAL MODE ATTENUATION	-35dBMIN@1-100MHz; -30dBMIN@100-300MHz; -25dBMIN@300-500MHz;
COMMON MODE RETURN LOSS (SCC22/PHY SIDE)	-1.5~ -5dBMIN@2-20MHz; -1.5~ -5dBMIN@250-400MHz;
DC CURRENT/VOLTAGE RATING-PSE PINS	1.15A MAXIMUM@57VDC(CONTINUOUS)
HI-POT	2250VDC@60 SECONDS(Channel1/2/3/4)

MATERIALS

1.HOUSING:GLASS FILLED LCP UL94V-0(ROHS)
2.CONTACT:PHOSPHOR BRONZE.50-100MICROINCHES MIN. OVERALL DUCTILE NICKEL UNDERPLATEWITH SELECTED 30 MICROINCHES GOLD AT MATING INTERFACE
3.SHIELD:0.2mm THICKNESS WITH COPPER ALLOY.
4.JACK CAVITY CONFORMS TO FCC RULES AND REGULATIONS PART 68 SUBPART F
5.THE PART IS RECOMMENDED FOR WAVE SOLDERING PROCESS (OR THROUGH HOLE REFLOW SOLDERING PROCESS) PEAK SOLDERING TEMPERATURE IS 265±5°C , 10 SECS.
6.OPERATING TEMPERATURE:-40°C TO +85°C. STORAGE TEMPERATURE:-40°C TO +85°C.

Description		GLGNET® 深圳方向电子有限公司 SHEN ZHEN GLGNET ELECTRONICS CO.,LTD.			
RJ45 1X2 Tab_Up Through Hole/4PPoE(120W) 10G Base-T/Extended Temp W/O LED		料号 ITEM NO.	44482-80M231	设计 DRAW	WANGKG
Dimension Tolerance: 0.xx:±0.10[.004] x.xx:±0.25[.010] xx.xx:±0.25[.010]		品名 TITLE	JGRBPG2T1034PW	校对 CHECK	DANNY
比例 SCALE		客户 CUSTOMER		核准 APPROVAL	BYANG
1:1	单位 UNIT	图号 DWG NO.		日期 DATE	11/20/2019
2/2	备注 REMARK	角法 PROJ.		版本 REV	A2