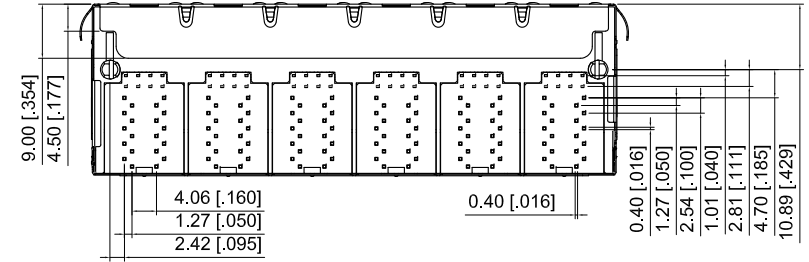
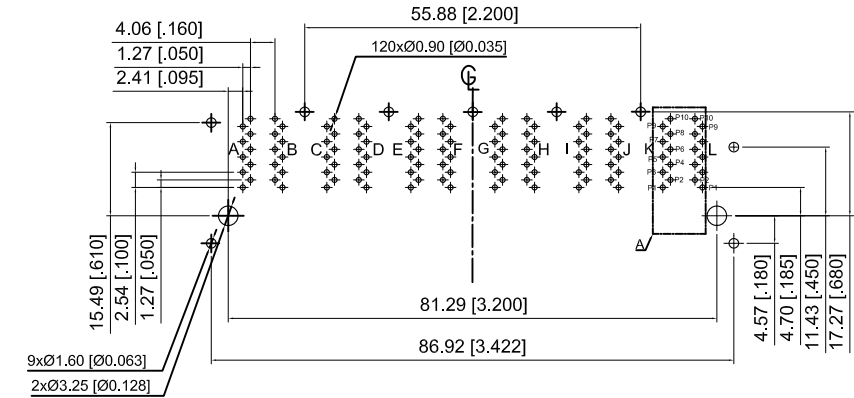
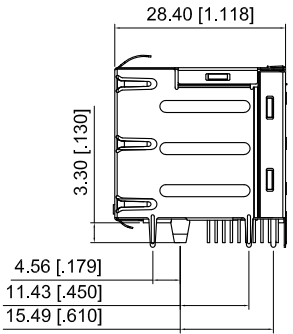
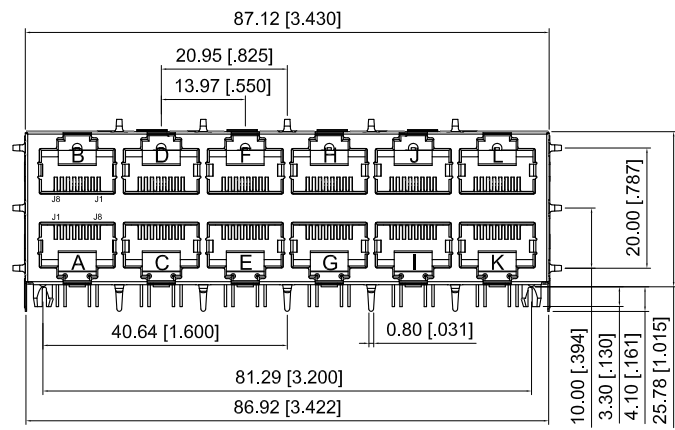
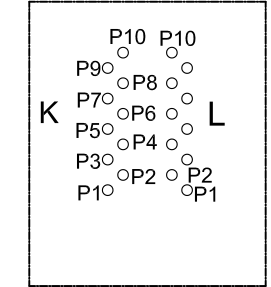


# Mechanical

NO.	ECN NO.	DESCRIPTION	REV.	DRAW	DATE



GoldPlating	Option
1.8μ"	<input type="checkbox"/>
3μ"	<input type="checkbox"/>
6μ"	<input type="checkbox"/>
15μ"	<input type="checkbox"/>
30μ"	<input checked="" type="checkbox"/>
50μ"	<input type="checkbox"/>



DETAIL A  
SCALE 3:2

Dimension Tolerance:  
PCB LAYOUT Tolerances:±0.05[.002]

RECOMMENDED P.C.B LAYOUT  
TOP VIEW (COMPONENT SIDE)

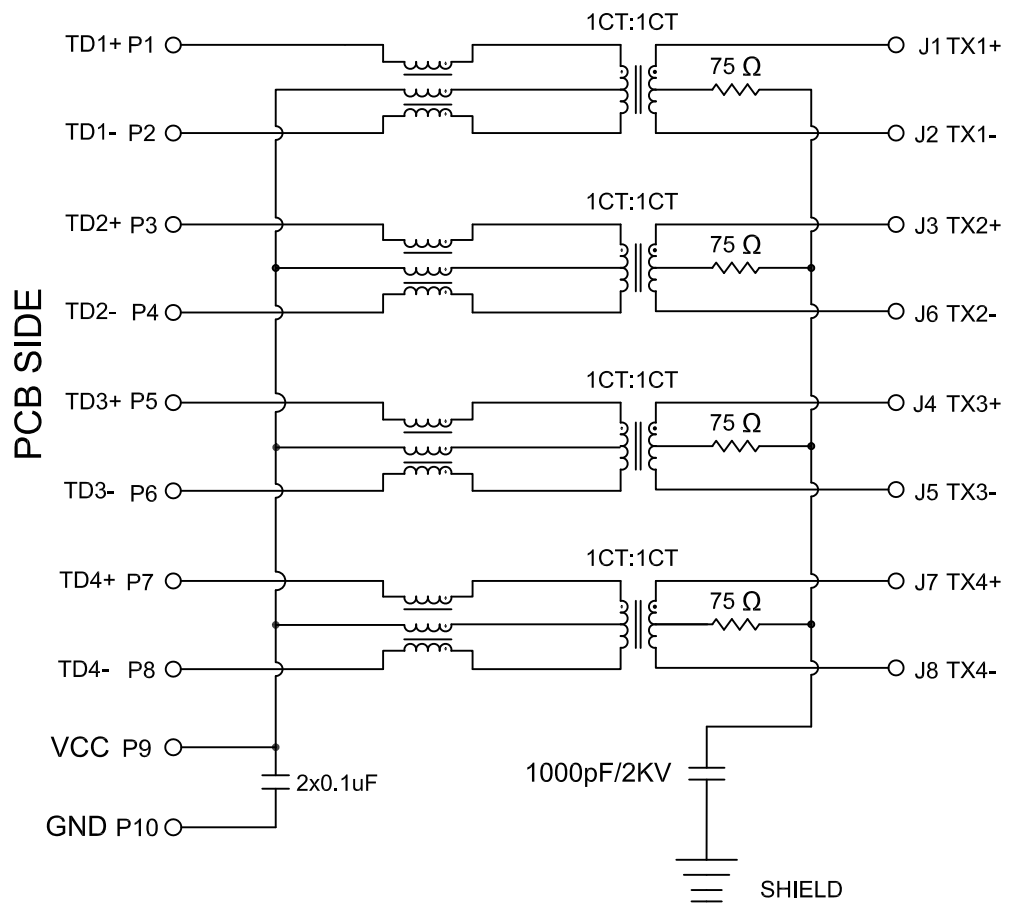
## MATERIALS

1. HOUSING: GLASS FILLED PA46 (BLACK) UL94V-0 (ROHS)
2. CONTACT: PHOSPHOR BRONZE, 50-100 MICROINCHES MIN. OVERALL DUCTILE NICKEL UNDERPLATE WITH SELECTED 30 MICROINCHES GOLD AT MATING INTERFACE
3. SHIELD: 0.2mm THICKNESS WITH STAINLESS.
4. JACK CAVITY CONFORMS TO FCC RULES AND REGULATIONS PART 68 SUBPART F
5. THE PART IS RECOMMENDED FOR WAVE SOLDERING PROCESS PEAK SOLDERING TEMPERATURE IS 260°C MAX, 10 SECS MAX.
6. OPERATING TEMPERATURE: -40°C TO +85°C. STORAGE TEMPERATURE: -40°C TO +85°C.

Description				GLGNET® 深圳方向电子有限公司 SHEN ZHEN GLGNET ELECTRONICS CO.,LTD.			
RJ45 2X6 Through Hole 1000Base-T W/O LED  Dimension Tolerance: 0.xx:±0.10[.004] x.xx:±0.25[.010] xx.xx:±0.25[.010]				料号 ITEM NO.	设计 DRAW	WANGKG	
				品名 TITLE	校对 CHECK	DANNY	
				客户 CUSTOMER	核准 APPROVAL	BYANG	
比例 SCALE	1:1	单位 UNIT	mm	图号 DWG NO.	日期 DATE	10/21/2020	
张数 SHEET	1/2	备注 REMARK		角法 PROJ.	版本 REV	A0	

# Schematic

NO.	ECN NO.	DESCRIPTION	REV.	DRAW	DATE



PARAMETER	SPECIFICATIONS
OPERATING TEMPERATURE	-40°C To +85°C
TURNS RATIO	1:1±2%
INDUCTANCE(OCL)	350uH MIN@100KHz/100mV With 8mA DC Bias
INSERTION LOSS	-1.0dB MAX@0.3MHz-100MHz;
RETURN LOSS (Z out=100 OHM)	-18dB MIN@1MHz-30MHz; -16dB MIN@30MHz-60MHz; -12dB MIN@60MHz-100MHz;
CROSSTALK (ADJACENT CHANNELS)	-30dB MIN@1-100MHz;
COMMON MODE REJECTION RATIO	-30dB MIN@1-100MHz;
HI-POT	2250 VDC@60 SECONDS

Description				GLGNET® 深圳方向电子有限公司 SHEN ZHEN GLGNET ELECTRONICS CO.,LTD.			
RJ45 2X6 Through Hole 1000Base-T W/O LED				料号 ITEM NO.		设计 DRAW	WANGKG
				品名 TITLE	JDKA6T826W	校对 CHECK	DANNY
				客户 CUSTOMER		核准 APPROVAL	BYANG
Dimension Tolerance: 0.xx:±0.10[.004] x.xx:±0.25[.010] xx.xx:±0.25[.010]	比例 SCALE	1:1	单位 UNIT	mm	图号 DWG NO.	日期 DATE	10/21/2020
张数 SHEET	2/2	备注 REMARK		角法 PROJ.		版本 REV	A0