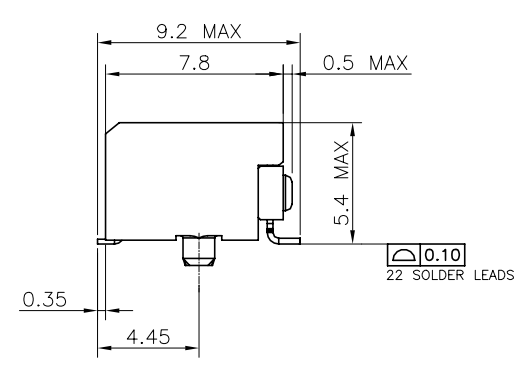
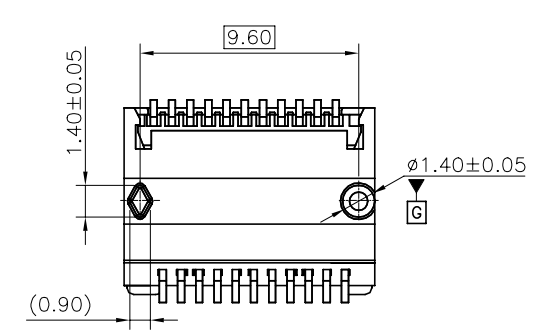
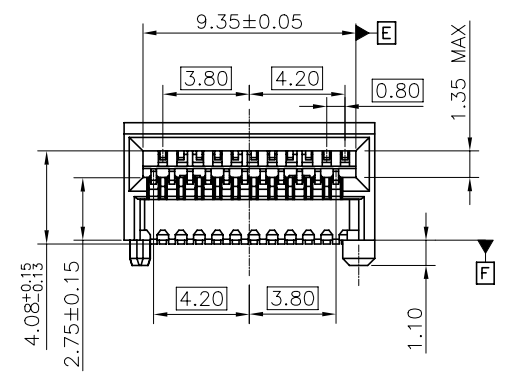
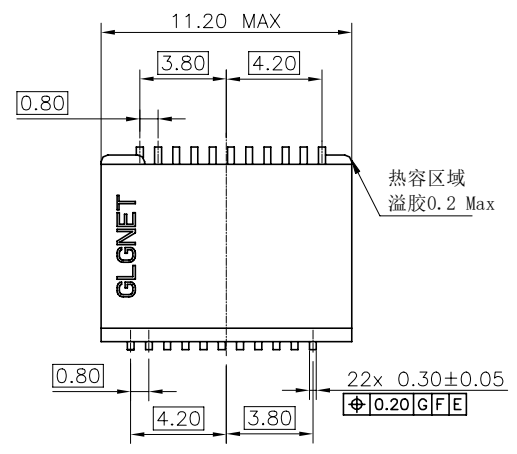


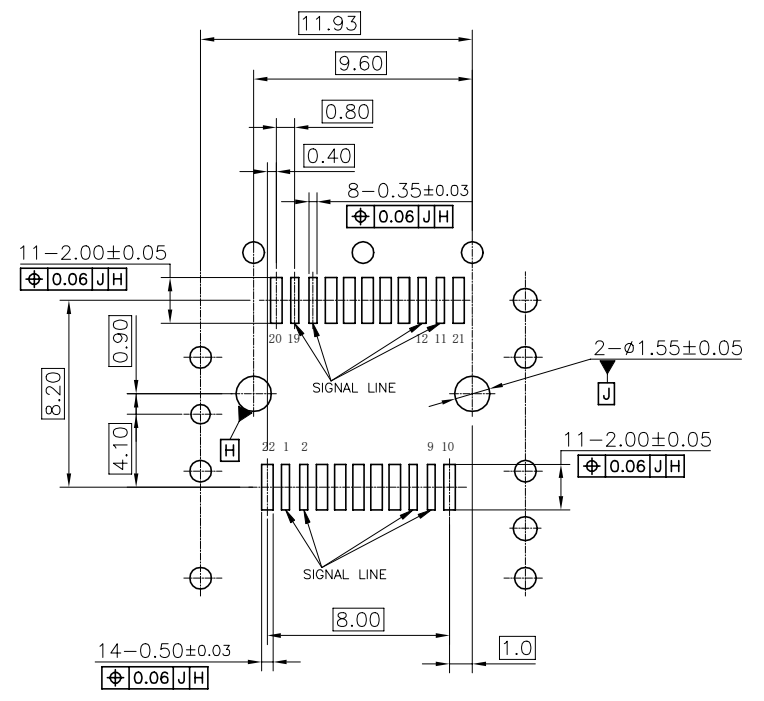
8 7 6 5 4 3 2 1



39024-00XXX1
M31: Ni50, Au30u"
规格流水码

NO.	ECN NO.	DESCRIPTION	REV.	DRAW	DATE
1					
2					

NOTES:
1.MATERIAL:
HOUSING: LCP UL94V-0,BLACK
INSERT MOLDING: LCP UL94V-0,BLACK
CONTACT: COPPER ALLOY
2.FINISH:
CONTACT: CONTACT AREA 0.76um MIN GOLD PLATING
1.27um MIN NICKEL UNDER PLATED
MATTE TIN ON SOLDER TAIL.
3.Undimensioned refer to DSFP MSA specification please



产品客户图 Customer Drw	
未注公差 TOLERANCE UNLESS OTHERWISE SPECIFIED	.X ±0.35 .XX ±0.25 .XXX ±0.15 .X° ±2°
比例 SCALE	1:1
张数 SHEET	1/1
单位 SCALE	mm

GLGNET® 深圳市方向电子股份有限公司
SHEN ZHEN GLGNET ELECTRONICS CO.,LTD.

设计 DESIGN	BC. WEI	2022/06/06	品名 TITLE	DSFP 1xN-00 CONNECTOR
校对 CHECKED			料号 ITEM NO.	39024-00M311
核准 APPROVED			图号 DWG NO.	GLG-WS-356

D
C
B
A

D
C
B
A

8 7 6 5 4 3 2 1