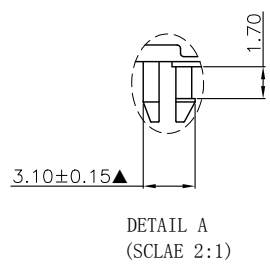
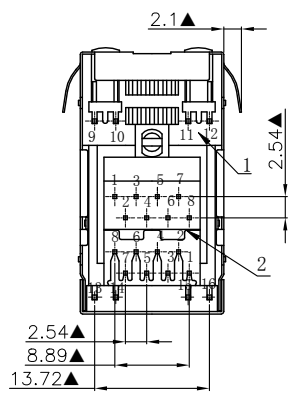
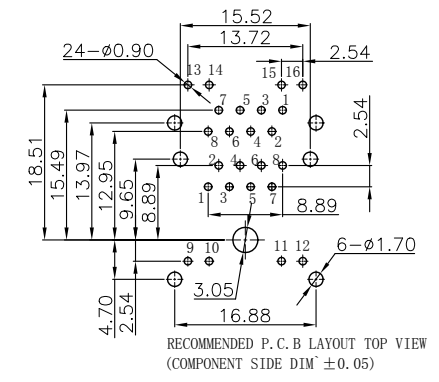
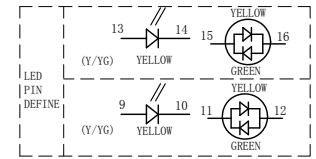
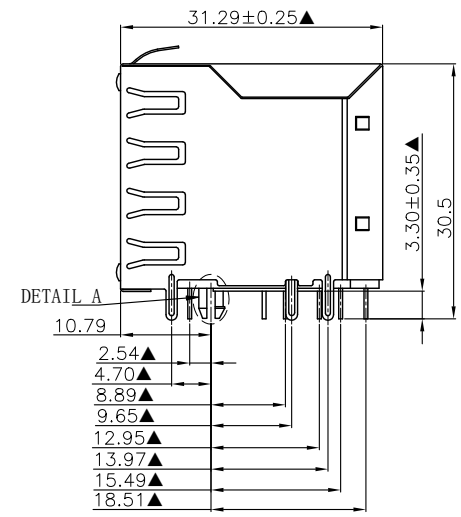
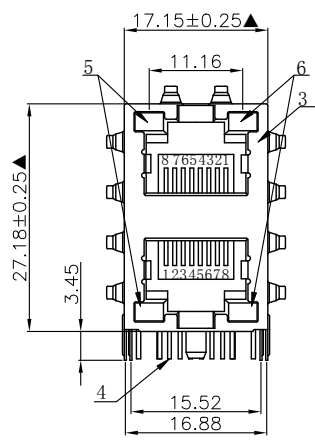


NO.	ECN NO.	DESCRIPTION	REV.	DRAW	DATE



MATERIALS:

1. Housing: Glass Filled PA46 UL94V-0. (RoHS)
 2. Insert: Glass Filled PBT UL94V-0. (RoHS)
 3. Shielding: Copper Alloy with Nickel Plated. (RoHS)
 4. Contact: 0.35*0.44mm Phosphor Bronze gold Plating Over Nickel. (RoHS)
 5. Led1: YELLOW. (RoHS)
 6. Led2: YELLOW/GREEN. (RoHS)
- ※MATES WITH MODULAR PLUG CONFORMING TO FCC PART 68, SUPART F.
 ※The Dimensions Marked "▲" Symbols Are Stand For Key Characteristics.

45003-1 4 X X X 1

规格流水码

电镀代码

S: 半光亮锡

M: 半金雾锡

05-G/F

11-3u"

15-6u"

19-15u"

23-30u"

产品客户图 Customer Drw		设计		品名	
未注公差 TOLERANCE UNLESS OTHERWISE SPECIFIED	.X ±0.35 .XX ±0.25 .XXX ±0.15 X° ±3°	角法 PROJ.	设计 DESIGN	品名 TITLE	5931-Q-S-K10-2x1-L-c-8C-14(Y/YG)
比例 SCALE	1:1	纸张 SIZE	校对 CHECKED	料号 ITEM NO.	45003-14XXX1
张数 SHEET	1/1	版本 REV.	核准 APPROVED	图号 DWG NO.	GLG-WL-033

GLGNET® 深圳市方向电子股份有限公司
 Shenzhen GLGNET Electronics Co.,LTD.