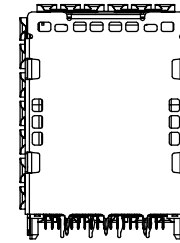
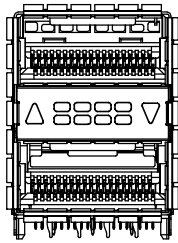
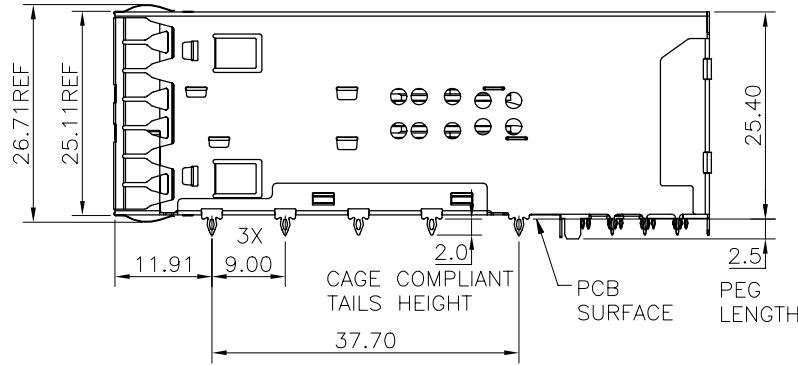
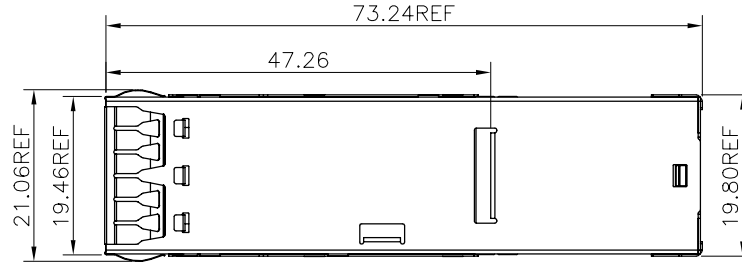


NO.	ECN NO.	DESCRIPTION	REV.	DRAW	DATE
1					
2					
3					



NOTES:

1.MATERIALS:

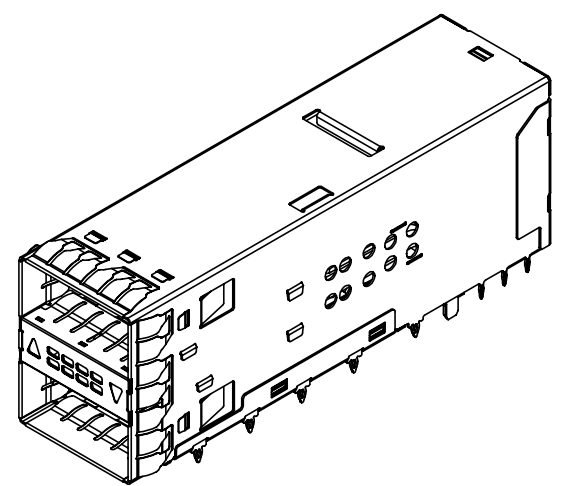
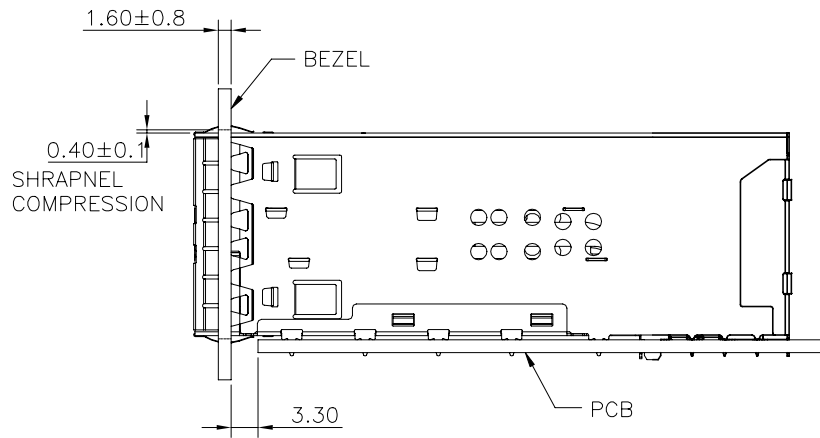
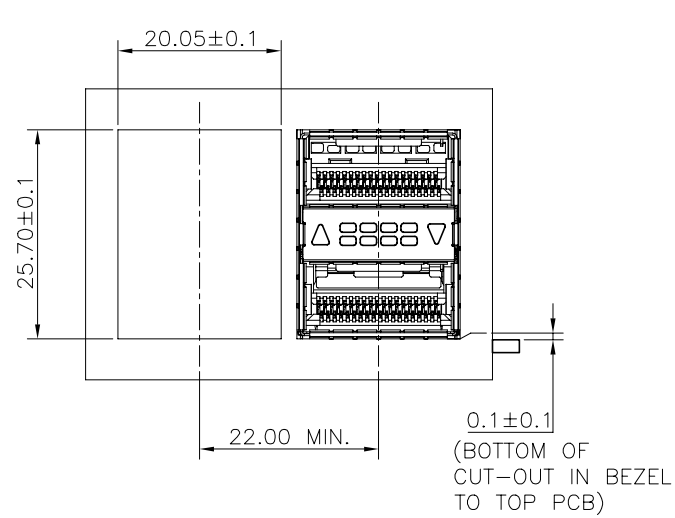
CAGE: COPPER ALLOY.
 SPRING: COPPER ALLOY,NICKEL PLATED.
 HOUSING: HIGH PERFORMANCE THERMOPLASTIC,94V-0.
 CONTACT: COPPER ALLOY.
 LIGHT PIPE: POLYCARBONATE.

2.FINISH:

CAGE: NICKEL OVERALL.
 SPRING: NICKEL OVERALL.
 CONTACT: 0.76um GOLD ON MATING END,MATTE TIN ON
 SOLDER TAIL,ALL OVER 1.27um NICKEL

产品客户图 Customer Drw			GLGNET® 深圳市方向电子股份有限公司 SHEN ZHEN GLGNET ELECTRONICS CO.,LTD.					
未注公差 TOLERANCE UNLESS OTHERWISE SPECIFIED	X	±0.35	设计 DESIGN	Xinjun Jiang	2022/10/18	品名 TITLE	QSFP28 2x1-P-D02 W-LPB	
	.XX	±0.25		校对 CHECKED	Xianjun Zheng	2022/10/18	料号 ITEM NO.	49047-02M311
	.XXX	±0.15		核准 APPROVED	Xianjun Zheng	2022/10/18	图号 DWG NO.	GLG-WS-435
比例 SCALE	1:1	角法 PROJ.	第一角					
张数 SHEET	1/4	大小 SIZE	A4					
单位 UNIT	mm	版本 REV.	A0					

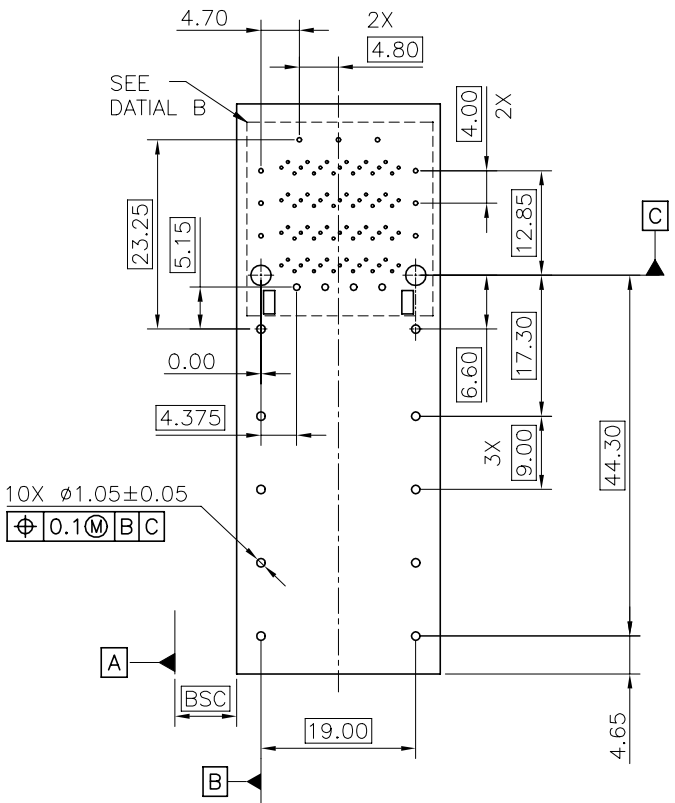
NO.	ECN NO.	DESCRIPTION	REV.	DRAW	DATE
1					
2					
3					



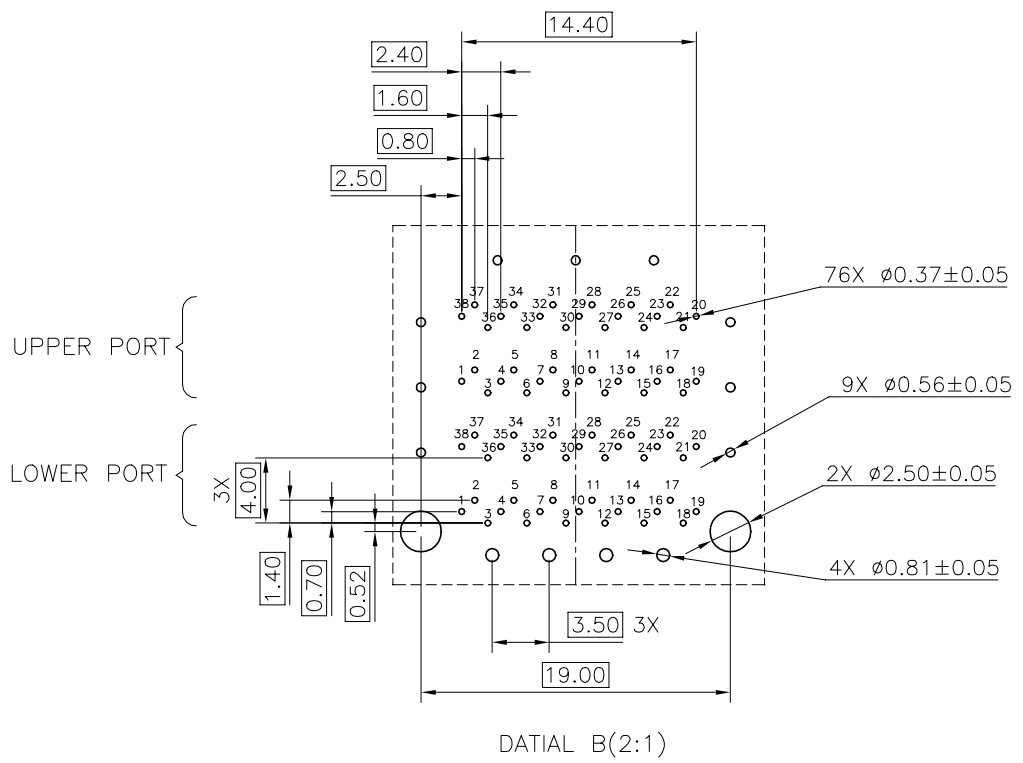
产品公差 TOLERANCE		X	±0.35	设计 DESIGN				
UNLESS OTHERWISE SPECIFIED		.XX	±0.25	设计	Xinjun Jiang	2022/10/18	品名 TITLE	QSFP28 2x1-P-D02 W-LPB
		.XXX	±0.15	校对 CHECKED	Xianjun Zheng	2022/10/18	料号 ITEM NO.	49047-02M311
		X°	±2°	核准 APPROVED	Xianjun Zheng	2022/10/18	图号 DWG NO.	GLG-WS-435

GLGNET® 深圳市方向电子股份有限公司
SHEN ZHEN GLGNET ELECTRONICS CO.,LTD.

NO.	ECN NO.	DESCRIPTION	REV.	DRAW	DATE
1					
2					
3					



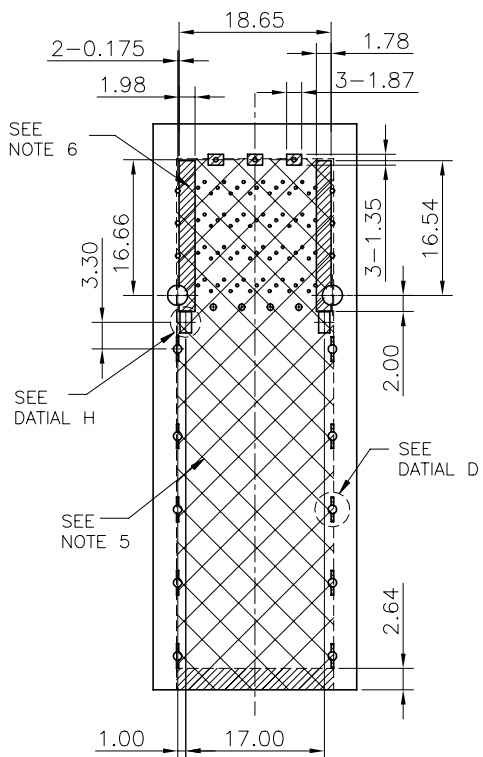
RECOMENDED PCB LAYOUT (COMPONENT SIDE)
PCB TOLERANCE ±0.05



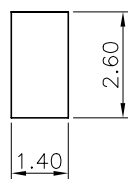
产品客户图 Customer Drw				GLGNET® 深圳市方向电子股份有限公司 SHEN ZHEN GLGNET ELECTRONICS CO.,LTD.				
未注公差 TOLERANCE UNLESS OTHERWISE SPECIFIED	X	±0.35	设计 DESIGN	Xinjun Jiang	2022/10/18	品名 TITLE	QSFP28 2x1-P-D02 W-LPB	
	.XX	±0.25		校对 CHECKED	Xianjun Zheng	2022/10/18	料号 ITEM NO.	49047-02M311
	.XXX	±0.15		核准 APPROVED	Xianjun Zheng	2022/10/18	图号 DWG NO.	GLG-WS-435
比例 SCALE	1:1	角法 PROJ.	第一角法					
张数 SHEET	3/4	大小 SIZE	A4					
单位 UNIT	mm	版本 REV.	A0					

NO.	ECN NO.	DESCRIPTION	REV.	DRAW	DATE
1					
2					
3					

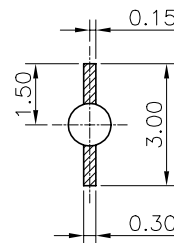
NOTE:
 3.DATUM AND BASIC DIMENSION ESTABLISHED BY CUSTOMER.
 4.THE PCB THICKNESS IS 1.57mmMIN.
 5.THE ENTIRE AREA OF THE CONNECTOR OUTPRINT,INDICATED BY THE DOUBLE DASHED LINE,TO BE CONSIDERED THE KEEPOUT AREA FOR COMPONENTS
 6.CROSS-HATCHED AREAS REPRESENT ZONES ON THE PCB THAT COME IN CONTACT WITH OR BE IN COLSE PROXIMITY TO THE PLASTIC HOUSING OR THE CONNECTOR CAGE, INDICATED AREAS TO BE CONSIDERED TRACE FREE.
 7.HATCHED AREA IS PLACEMENT ZONE FOR LED, LED SHOULD BE CENTERED WITHIN ZONE. RECOMMNT 0805 PACKAGE.



KEEPOUT AREAS FOR 2LP APPLICATON COMPONENT SIDE OF BOARD



DATIAL H(5:1)
(SEE NOTE 7)



DATIAL D(5:1)

产品客户图 Customer Drw				GLGNET® 深圳市方向电子股份有限公司 SHEN ZHEN GLGNET ELECTRONICS CO.,LTD.				
未注公差 TOLERANCE UNLESS OTHERWISE SPECIFIED	X	±0.35	设计 DESIGN	Xinjun Jiang	2022/10/18	品名 TITLE	QSFP28 2x1-P-D02 W-LPB	
	.XX	±0.25		校对 CHECKED	Xianjun Zheng	2022/10/18	料号 ITEM NO.	49047-02M311
	.XXX	±0.15		核准 APPROVED	Xianjun Zheng	2022/10/18	图号 DWG NO.	GLG-WS-435
比例 SCALE	1:1	角法 PROJ.	第一角法					
张数 SHEET	4/4	大小 SIZE	A4					
单位 UNIT	mm	版本 REV.	A0					