

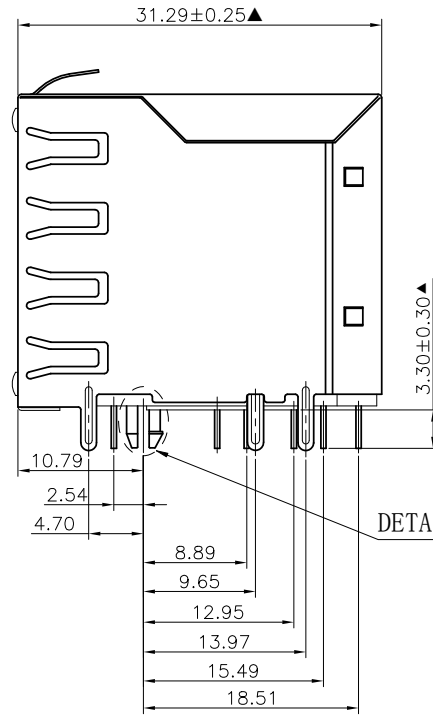
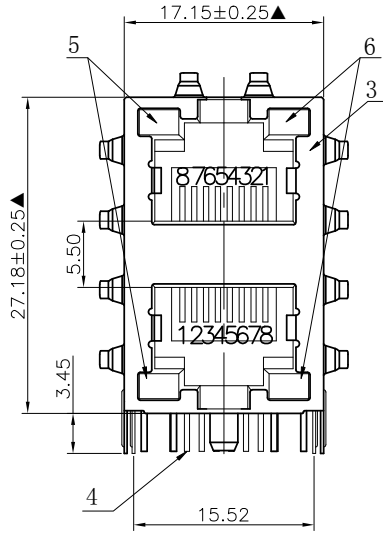
NO.	ECN NO.	DESCRIPTION	REV.	DRAW	DATE
1					
2					

45004-01 G X X 1

规格流水码

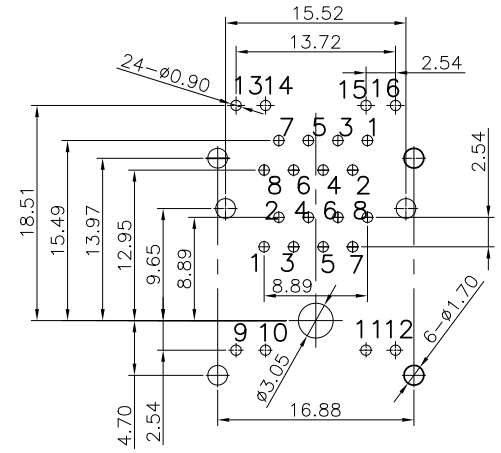
电镀代码

05-1u"  
 06-1.2u"  
 08-1.5u"  
 09-2u"  
 11-3u"  
 13-5u"  
 15-6u"  
 19-15u"  
 31-1.8u"

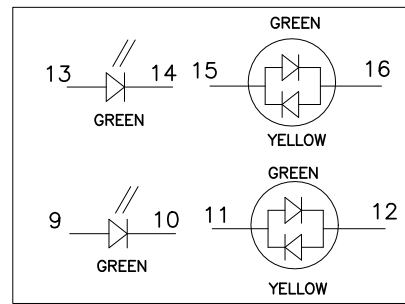
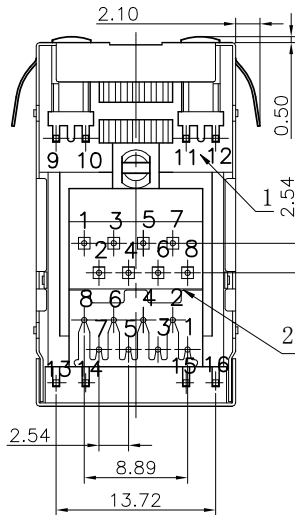


DETAIL A

DETAIL A(2:1)



RECOMMENDED P.C.B LAYOUT TOP VIEW  
(COMPONENT SIDE DIM ± 0.05)



LED PIN DEFINE

Recommend panel cutout

PANEL

bezel opening below  
top of PCB

NOTES:

- Housing: PA46 BLACK UL94V-0 (RoHS).
- Insert: PBT BLACK UL94V-0 (RoHS).
- Shielding: Copper Alloy with Nickel Plated (RoHS).
- Contact:  $\phi$  0.46mm Phosphor Bronze, G/F Plating Over Nickel. (ROHS)
- Led: Green (RoHS).
- Led: Green/Yellow (RoHS).
- Durability: 750 Cycles Min.
- Connector Mating, Unmating Force: 30N Max.
- Plug Retention Force: 50N min, 60s  $\pm$  5s.
- ※ MATES WITH MODULAR PLUG CONFORMING TO FCC PART 68, SUBPART F.
- ※ The Dimensions Marked "▲" Symbols Are Stand For Key Characteristics.

Electrical specification:

- Voltage Rating: 125 VAC RMS.
- Current Rating: 1.5A Max @25° C;
- Contact Resistance: 20 m $\Omega$  Max;
- Insulation Resistance: 500 M $\Omega$  Min. @500 VDC;
- Dielectric withstanding Voltage: 1000 V DC or AC peak, for 1 minute 0.5 mA contact-to-contact.
- 1500 V DC or AC peak, for 1 minute 0.5 mA contact to screen and test panel.

Environmental characteristics:

- Stockpile Temperature: -40° C to 70° C;
- Operating Temperature: -40° C to 70° C;

产品客户图 Customer Drw

未注公差 TOLERANCE UNLESS OTHERWISE SPECIFIED	.X	$\pm 0.35$
	.XX	$\pm 0.25$
	.XXX	$\pm 0.15$
	X°	$\pm 2^\circ$

**GLGNET®** 深圳市方向电子股份有限公司  
Shenzhen GLGNET Electronics Co.,LTD.

比例 SCALE	1:1	角法 PROJ.		设计 DESIGN		品名 TITLE	5931-S-K10-2x1-L-c-8C -11(G/GY)
张数 SHEET	1/1	大小 SIZE	A4	校对 CHECKED		料号 ITEM NO.	45004-01GXX1
单位 UNIT	mm	版本 REV.	P0	核准 APPROVED		图号 DWG NO.	GLG-110652